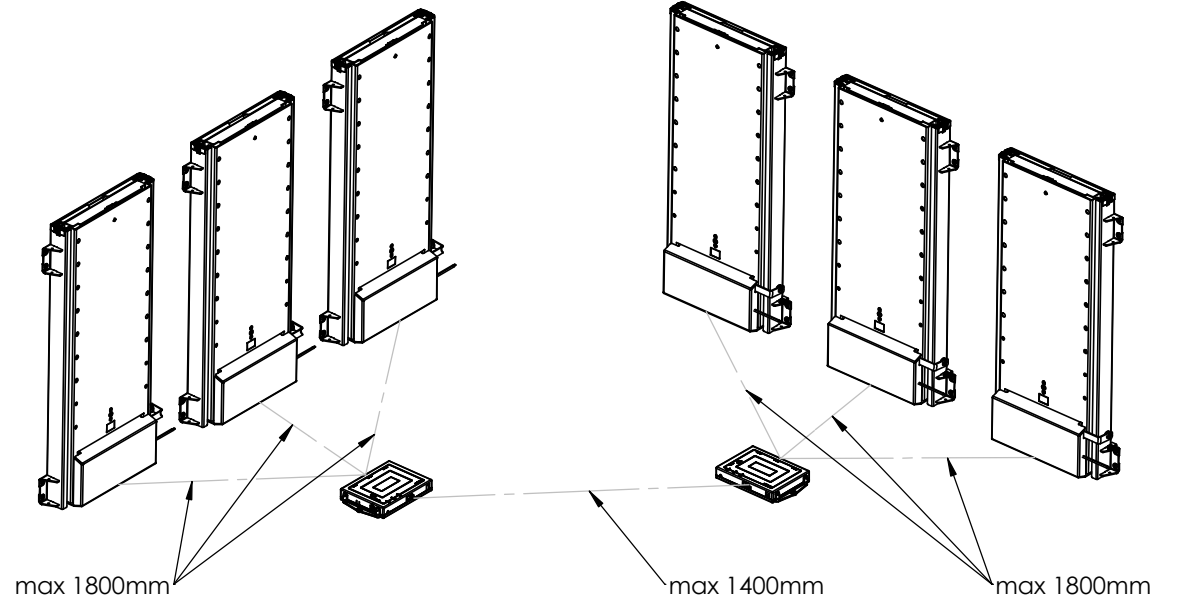
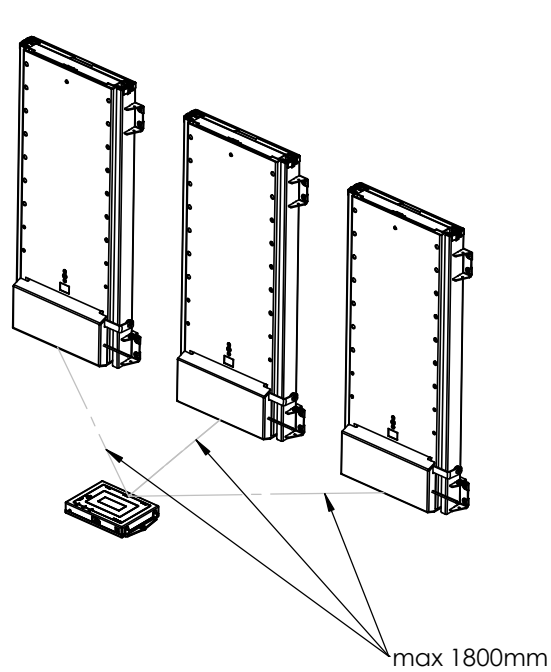


See page 2 for combination of BASICS

DO NOT SCALE DRAWING SHEET 1 OF 2	WEIGHT: 15644.73			VENSET A/S Industrivej 23 - 6900 Skjern - Denmark www.venset.com
	DRAWN	CHECKED		
UNLESS OTHERWISE SPECIFIED: DIMENSIONS ARE IN MILLIMETERS TOLERANCES: LINEAR: According to ANGULAR: DIN 7168-m	NAME	DATE		
	jo	20-05-2019		
PROPRIETARY AND CONFIDENTIAL THE INFORMATION CONTAINED IN THIS DRAWING IS THE SOLE PROPERTY OF VENSET A/S. ANY REPRODUCTION IN PART OR AS A WHOLE WITHOUT THE WRITTEN PERMISSION OF VENSET A/S IS PROHIBITED.	Processes:			
	REMARKS:		DWG NO.	REVISION
		150370	0	

2-3 pcs TS700/1000C BASIC combined

4-6 pcs TS700/1000C BASIC combined



DO NOT SCALE DRAWING	SHEET 2 OF 2			VENSET A/S Industrivej 23 DK-6900 Skjern Denmark
UNLESS OTHERWISE SPECIFIED: DIMENSIONS ARE IN MILLIMETERS TOLERANCES: LINEAR: According to ANGULAR: DIN 7168-m	DRAWN	NAME jo	DATE 20-05-2019	TITLE: TS700/1000C BASIC combinations
	CHECKED			
PROPRIETARY AND CONFIDENTIAL THE INFORMATION CONTAINED IN THIS DRAWING IS THE SOLE PROPERTY OF VENSET A/S. ANY REPRODUCTION IN PART OR AS A WHOLE WITHOUT THE WRITTEN PERMISSION OF VENSET A/S IS PROHIBITED.	Processes:			DWG NO. 150370
	WEIGHT:			REVISION 0