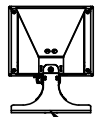
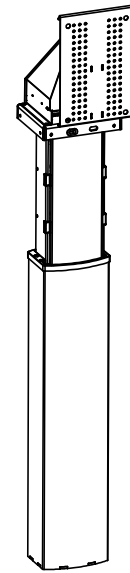
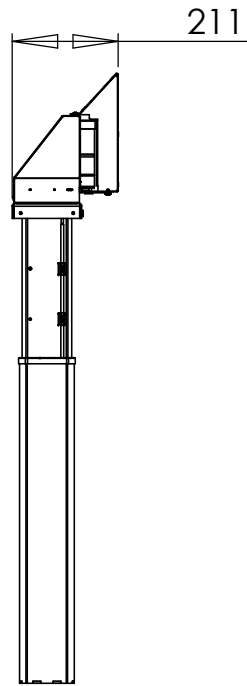
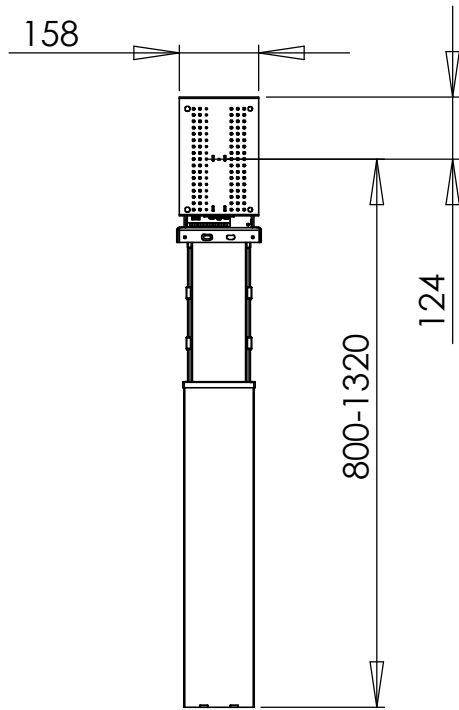
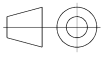
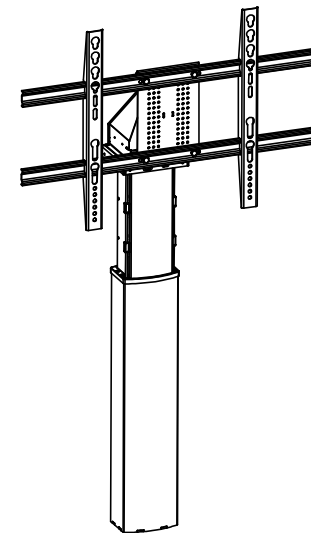
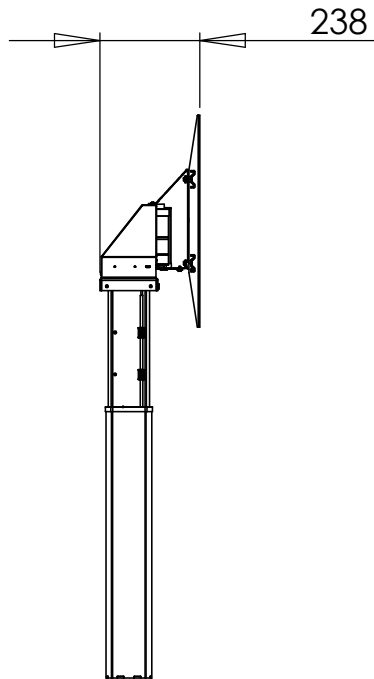
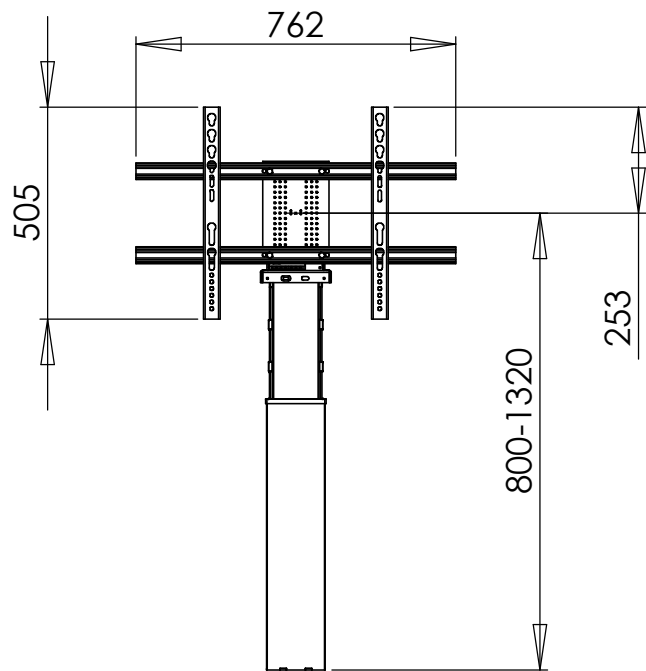


DO NOT SCALE DRAWING SHEET 1 OF 5	WEIGHT:			<b>VENSET A/S</b> Nygade 63 - 6900 Skjern - Denmark <a href="http://www.venset.com">www.venset.com</a>
	DRAWN	NAME jo		
UNLESS OTHERWISE SPECIFIED: DIMENSIONS ARE IN MILLIMETERS TOLERANCES: LINEAR: According to ANGULAR: DIN 7168-m	CHECKED			TITLE:  DF019 7S FB000 FBSFSF
<b>PROPRIETARY AND CONFIDENTIAL</b> THE INFORMATION CONTAINED IN THIS DRAWING IS THE SOLE PROPERTY OF VENSET A/S. ANY REPRODUCTION IN PART OR AS A WHOLE WITHOUT THE WRITTEN PERMISSION OF VENSET A/S IS PROHIBITED.	Processes:			DWG NO. <b>130480</b>
	REMARKS: main measures			REVISION <b>0</b>



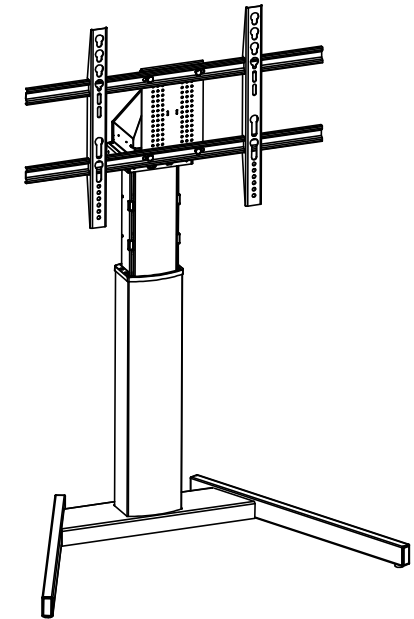
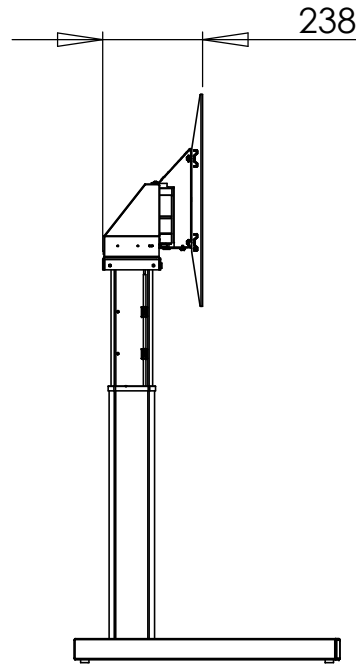
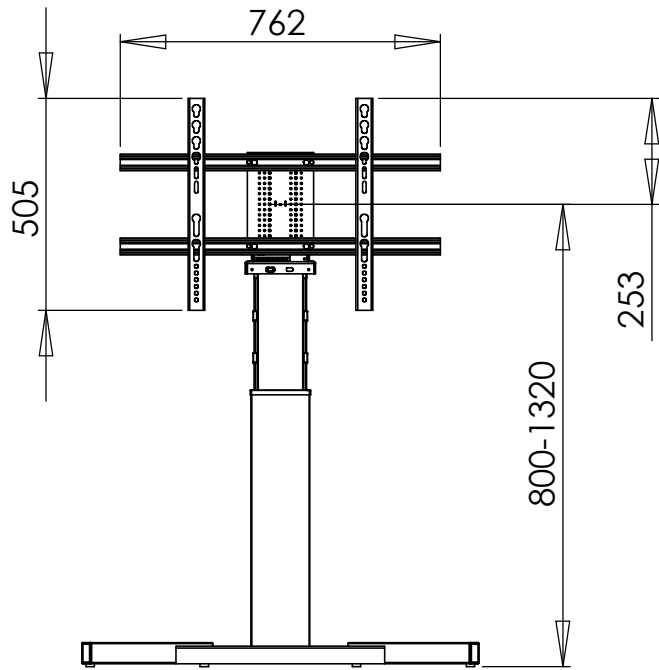
swivel head with  
turn of +/-45 degrees

DO NOT SCALE DRAWING	SHEET 2 OF 5			<b>VENSET A/S</b> Nygade 63 DK-6900 Skjern Denmark
UNLESS OTHERWISE SPECIFIED: DIMENSIONS ARE IN MILLIMETERS TOLERANCES: LINEAR: According to ANGULAR: DIN 7168-m	DRAWN	NAME jo	DATE 20-01-2012	TITLE:  DF019 7S SB000
	CHECKED			
<b>PROPRIETARY AND CONFIDENTIAL</b> THE INFORMATION CONTAINED IN THIS DRAWING IS THE SOLE PROPERTY OF VENSET A/S. ANY REPRODUCTION IN PART OR AS A WHOLE WITHOUT THE WRITTEN PERMISSION OF VENSET A/S IS PROHIBITED.	Processes:			DWG NO.  130480
	WEIGHT:			REVISION  0

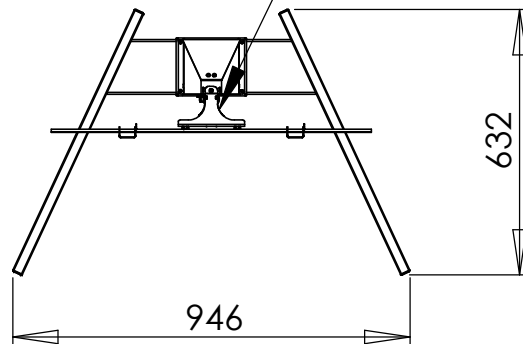


swivel head with  
turn of +/-45 degrees

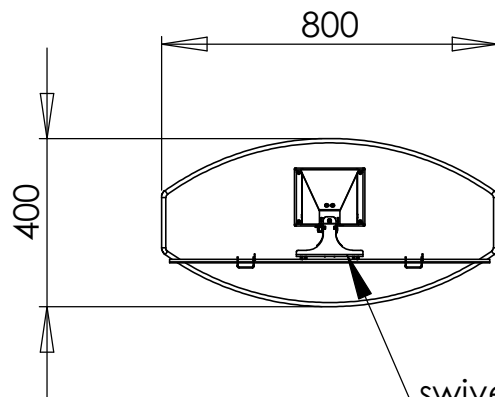
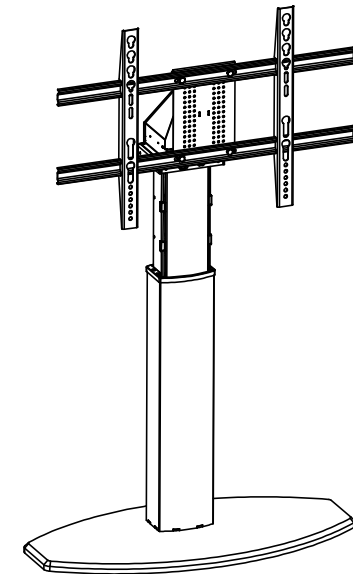
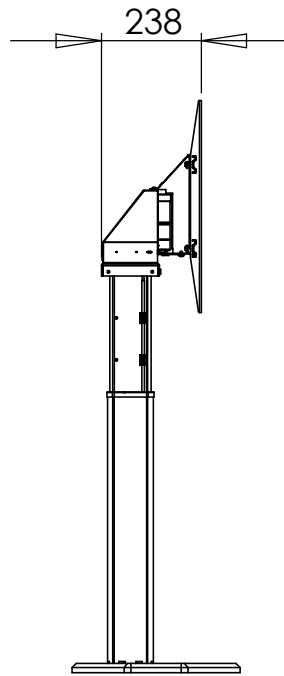
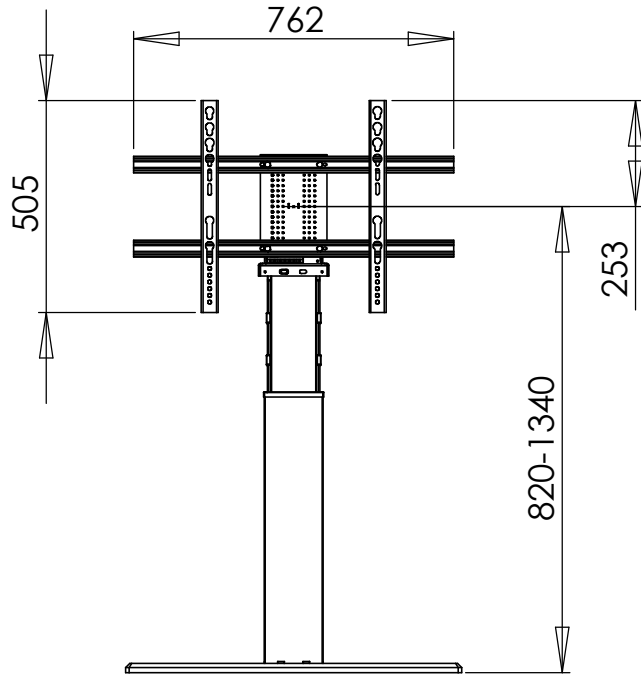
DO NOT SCALE DRAWING	SHEET 3 OF 5			<b>VENSET A/S</b> Nygade 63 DK-6900 Skjern Denmark
UNLESS OTHERWISE SPECIFIED: DIMENSIONS ARE IN MILLIMETERS TOLERANCES: LINEAR: According to ANGULAR: DIN 7168-m	DRAWN	NAME jo	DATE 20-01-2012	TITLE:  DF019 7S SB000 MB
	CHECKED			DWG NO. <b>130480</b>
<b>PROPRIETARY AND CONFIDENTIAL</b> THE INFORMATION CONTAINED IN THIS DRAWING IS THE SOLE PROPERTY OF VENSET A/S. ANY REPRODUCTION IN PART OR AS A WHOLE WITHOUT THE WRITTEN PERMISSION OF VENSET A/S IS PROHIBITED.	Processes:		WEIGHT:	REVISION <b>0</b>



swivel head with turn of +/-45 degrees



DO NOT SCALE DRAWING	SHEET 4 OF 5			<b>VENSET A/S</b> Nygade 63 DK-6900 Skjern Denmark
UNLESS OTHERWISE SPECIFIED: DIMENSIONS ARE IN MILLIMETERS TOLERANCES: LINEAR: According to ANGULAR: DIN 7168-m	DRAWN	NAME jo	DATE 20-01-2012	TITLE:  DF019 7S SB000 MBSF
	CHECKED			DWG NO. <b>130480</b>
<b>PROPRIETARY AND CONFIDENTIAL</b> THE INFORMATION CONTAINED IN THIS DRAWING IS THE SOLE PROPERTY OF VENSET A/S. ANY REPRODUCTION IN PART OR AS A WHOLE WITHOUT THE WRITTEN PERMISSION OF VENSET A/S IS PROHIBITED.	Processes:		WEIGHT:	REVISION <b>0</b>



swivel head with turn of +/-45 degrees

DO NOT SCALE DRAWING	SHEET 5 OF 5			<b>VENSET A/S</b> Nygade 63 DK-6900 Skjern Denmark
UNLESS OTHERWISE SPECIFIED: DIMENSIONS ARE IN MILLIMETERS TOLERANCES: LINEAR: According to ANGULAR: DIN 7168-m	DRAWN	NAME jo	DATE 20-01-2012	TITLE:
	CHECKED			DF019 7S SB000 MBSF002B
<b>PROPRIETARY AND CONFIDENTIAL</b> THE INFORMATION CONTAINED IN THIS DRAWING IS THE SOLE PROPERTY OF VENSET A/S. ANY REPRODUCTION IN PART OR AS A WHOLE WITHOUT THE WRITTEN PERMISSION OF VENSET A/S IS PROHIBITED.	Processes:			DWG NO.
	WEIGHT:			130480