

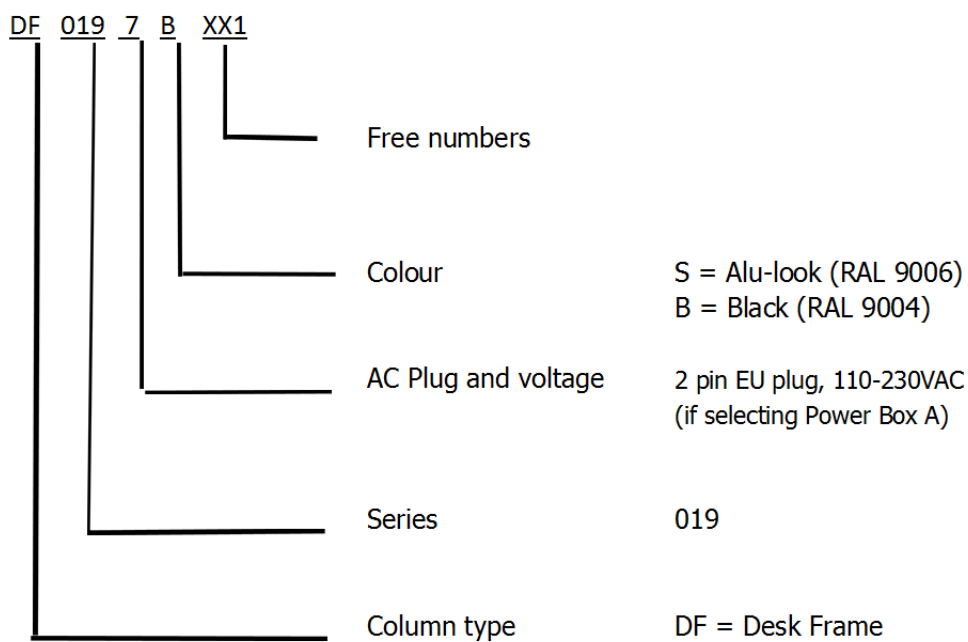
## Table of contents

Article numbers	page 3
Packing details	page 4
Assembly and use	page 5
Dimensions	page 6
Specifications	page 7
Safety & test	page 8

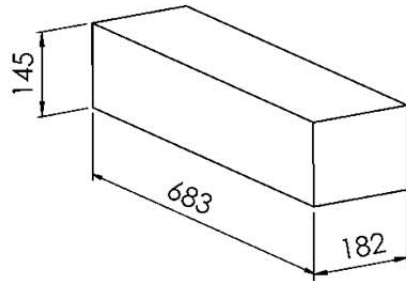
**Article numbers**

Article number	EAN code
DF019 7SXX1	5 708499 111638
DF019 7SXX1	5 708499 111720

**Ordering example**

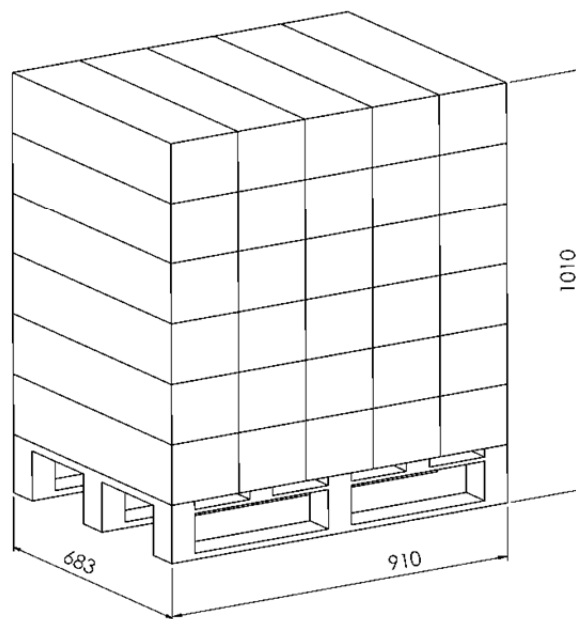


**Packing details**



1 pcs.

14 kg



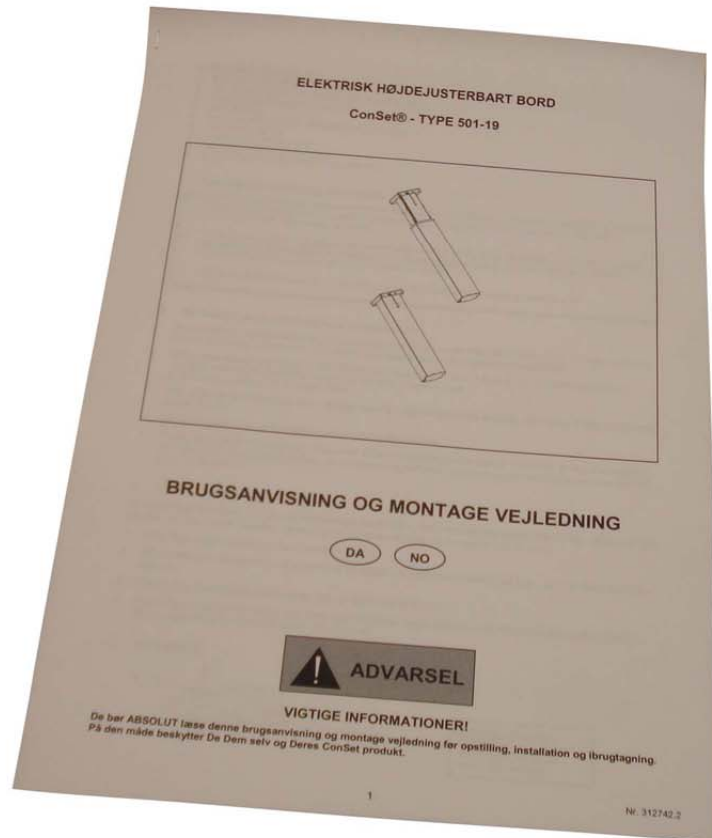
30 pcs.

440 kg

### Assembly and use (if selecting Power Box A)

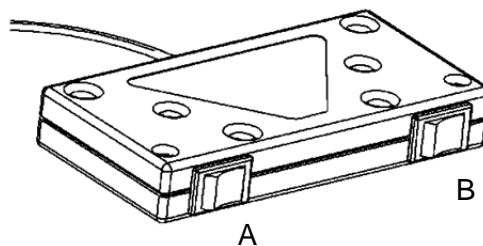
After installation of the column, the electrical components can be connected. All wires have DC jacks and since using different types (size- male/female) only the correct connection can be made.

All products come with an instruction manual.

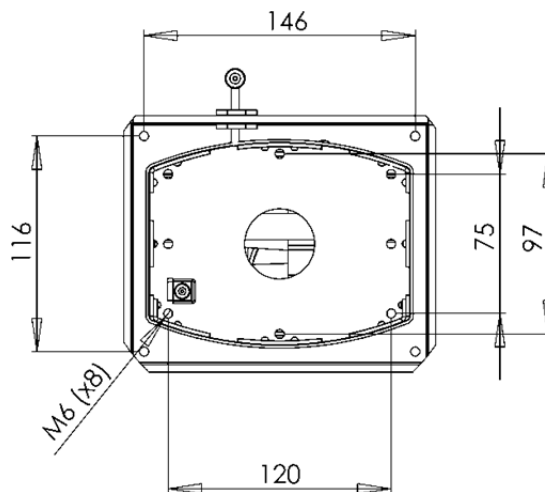
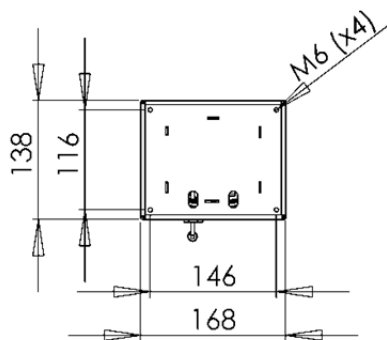
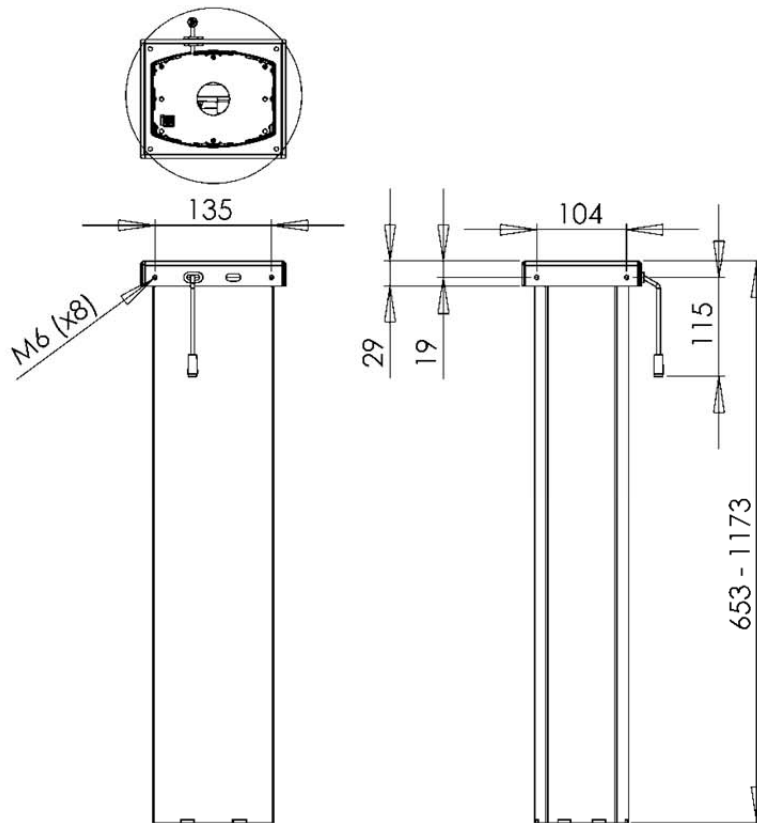


This operation unit has two rocker switches.

With rocker switch A and B it is possible to move the tabletop up and down, and can be stopped at all levels. For safety reasons it is necessary to push both buttons at the same time for moving the table up and down.



Dimensions



## Specifications

### Column

Height, frame only	63 – 120 cm
Max. working loads:	65 kg (by standard installation) 29 kg (when mounted upside down) 100 kg peak load
Duty cycle:	10% by 50% of working load or max 2 min. continuously
Speed	28 mm/sec (unloaded)

### Components

Metal sheet parts:	St 37-2
Gear parts:	St 70-2
Gear motor:	Bosch no. 0 390 257 685
Power supply:	120 W AC Power Transformer*  Consumption: 120 Watts; Standby: Less than 1 Watts
Plastic components:	PEHD, PA6
Surface treatment	Visible metal parts powder coated in "alu" colour (RAL9006) or black colour (RAL 9004)  Non visible metal parts are surface treated  (e.g. zinc plated)

\* if selecting Power Box A

## Safety & Test

### DECLARATION OF CONFORMITY

We hereby declare, under our sole responsibility that the following products:

- ConSet sit and stand tables product type 501-19

which are covered by this statement, are in conformity with the following standards and other normative documents::

- Counsel Directive 98/37/EF
- Counsel Directive 89/336/EØF with later changes
- Counsel Directive 73/23/EØF with later changes

With reference to the Machinery Directive (98/37/EF) please be aware:

- the sit and stand table is considered a machine and
- the sit and stand table may not be used until it has been assembled and installed according to the instructions.