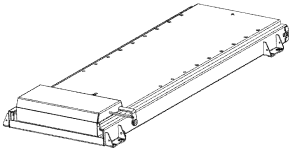


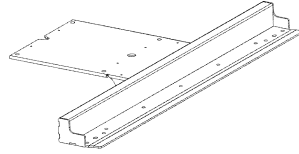
## 7. OVERSICHT OVER DELE

**A** Flat lift



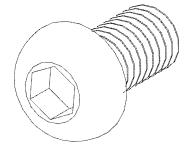
x 1

**B** Connector bracket



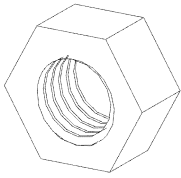
x 2

**C** Screw M6x12mm



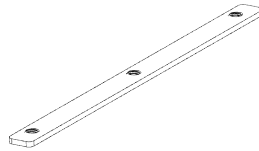
x 8

**D** M6 nut



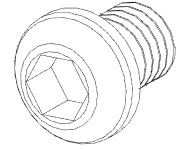
x 8

**E** Side plate fix



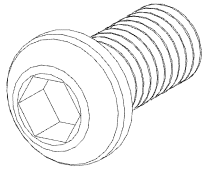
x 4

**F** Screw M8x10mm



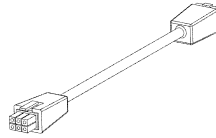
x 4

**G** Screw M8x16mm



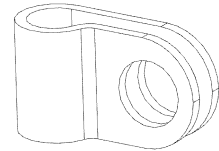
x 8

**H** Extender wire



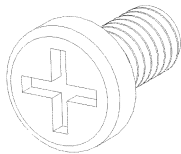
x 3

**I** Cableclip



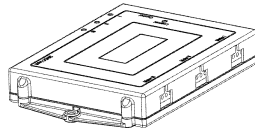
x 4

**J** Screw M4x8



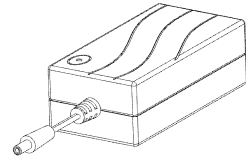
x 4

**K** Sync box



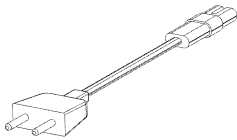
x 1

**L** Power supply



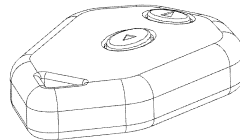
x 1

**M** Power cord



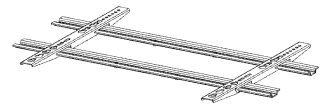
x 1

**N** RF remote emitter



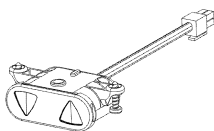
x 1

**O** Monitor bracket



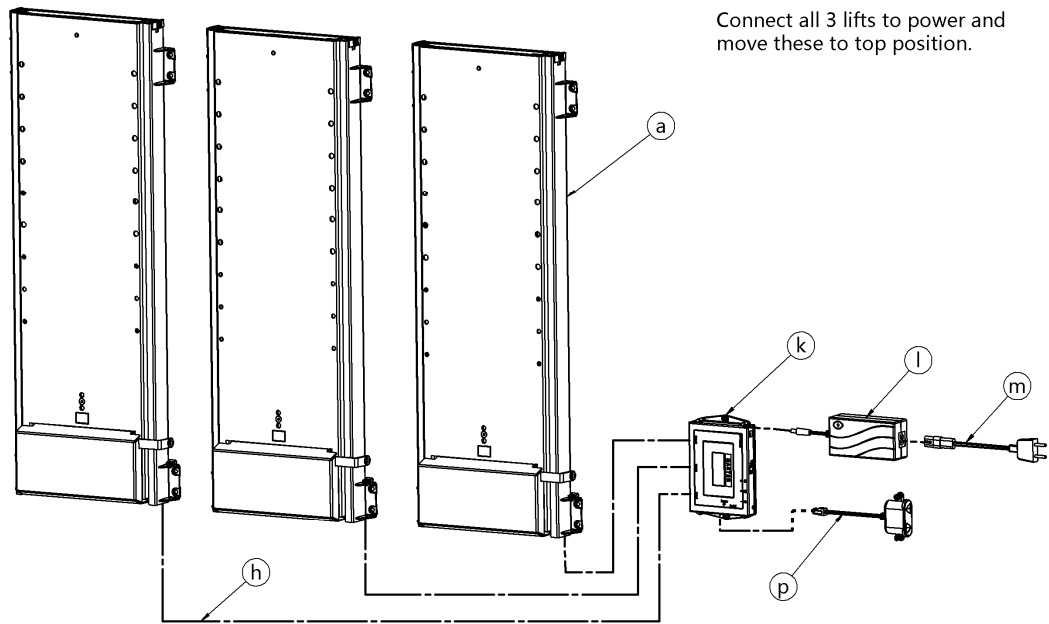
x 1

**P** Control panel

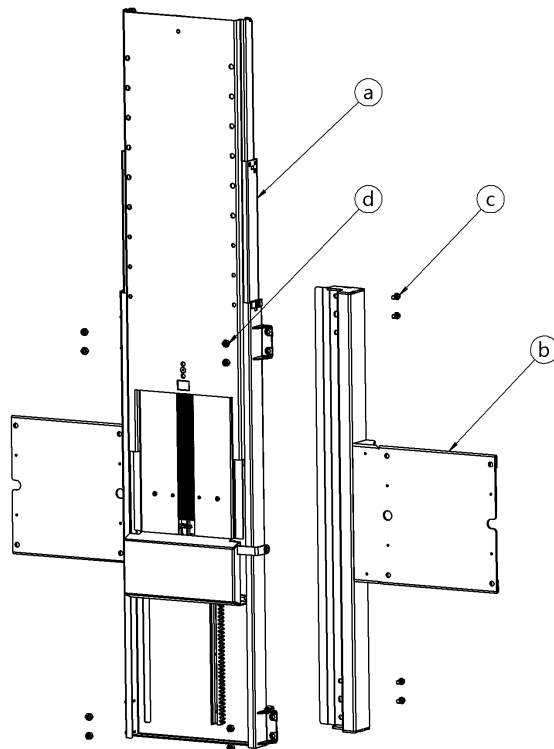


x 1

**1.** Moving columns

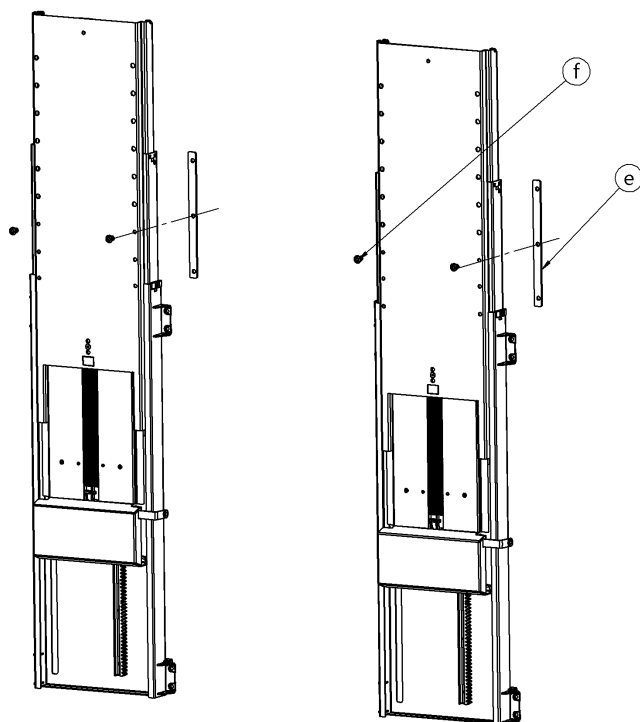


**2.** Mounting brackets



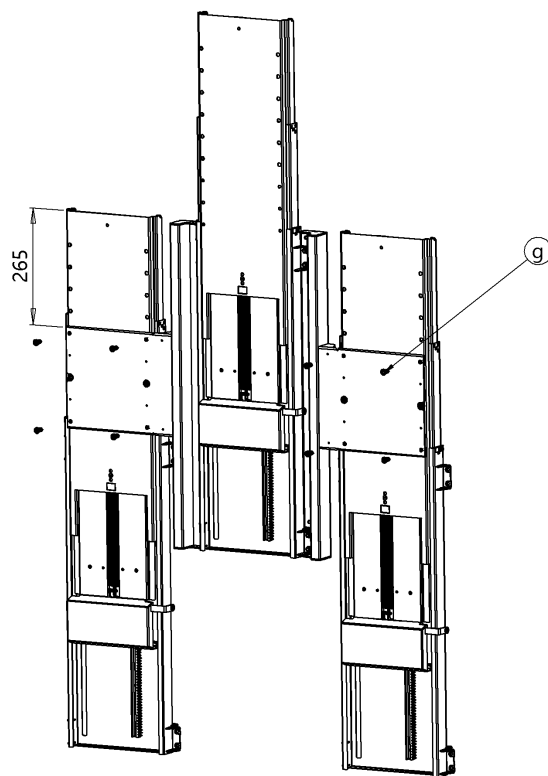
**3.**

Mounting fix plate



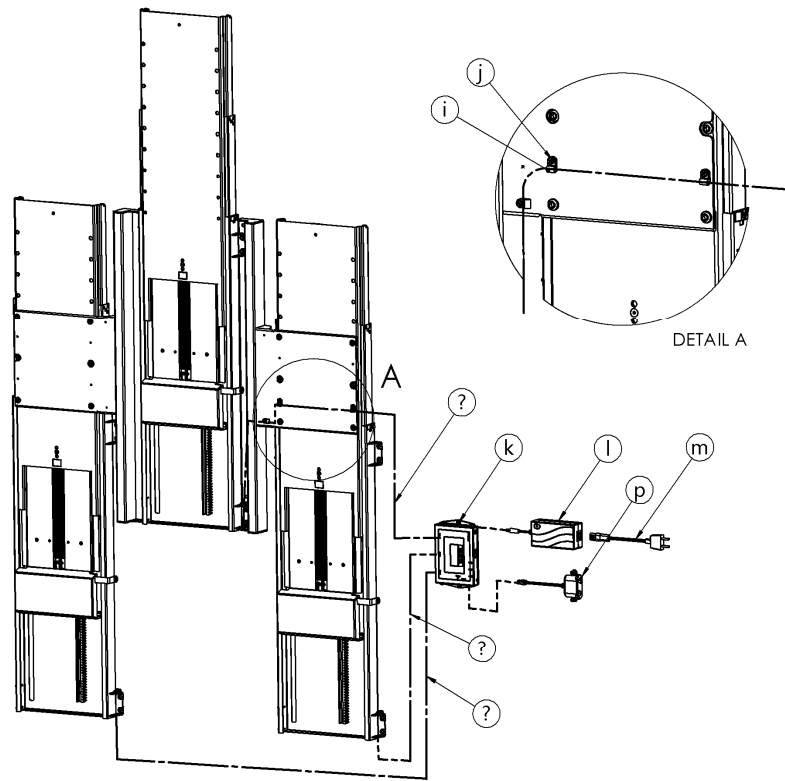
**4.**

Connecting lifts



5.

Wiring



6.

Monitor brackets

