

DF023 Electric leg-set

This leg-set is the solution for the furniture manufacturer, who wants to design and produce their own height adjustable systems. Extremely rigid construction in all load directions. Easy to adapt due to of M6 treads at both ends.

The columns are adjustable within the range of 66-118cm. Powder coated in silver RAL9006 and black RAL9004.

Plug and play. Fitted with power supply 200-240 VAC, synchronizing unit and control unit.

Features:

- Lifting capacity 200 kg
- Height range 66-118 cm
- Speed 28 mm per second



VENSET®

Electrical movement in furniture and buildings

DF023 component specifications

Lifting column – 2 pcs.

Metal sheet parts: St. 37-2

Gear parts: St. 70-2

Gearmotor: We 109850

Plastic parts: POM

Surface treatment: Visible metal parts powder coated in RAL 9004 (black) and RAL 9006 (alu-look)
Non visible metal parts surface treated (e.g. plated)

Power supply

Switch mode power supply

Input: 200-240 VAC • 56/60Hz • 1,2 A

Output: 30 VDC • 4 Amp

DC cord length = 200mm

AC cord length = 2000mm

Control unit

Rocker switch operated control unit

Wire length = 1500mm

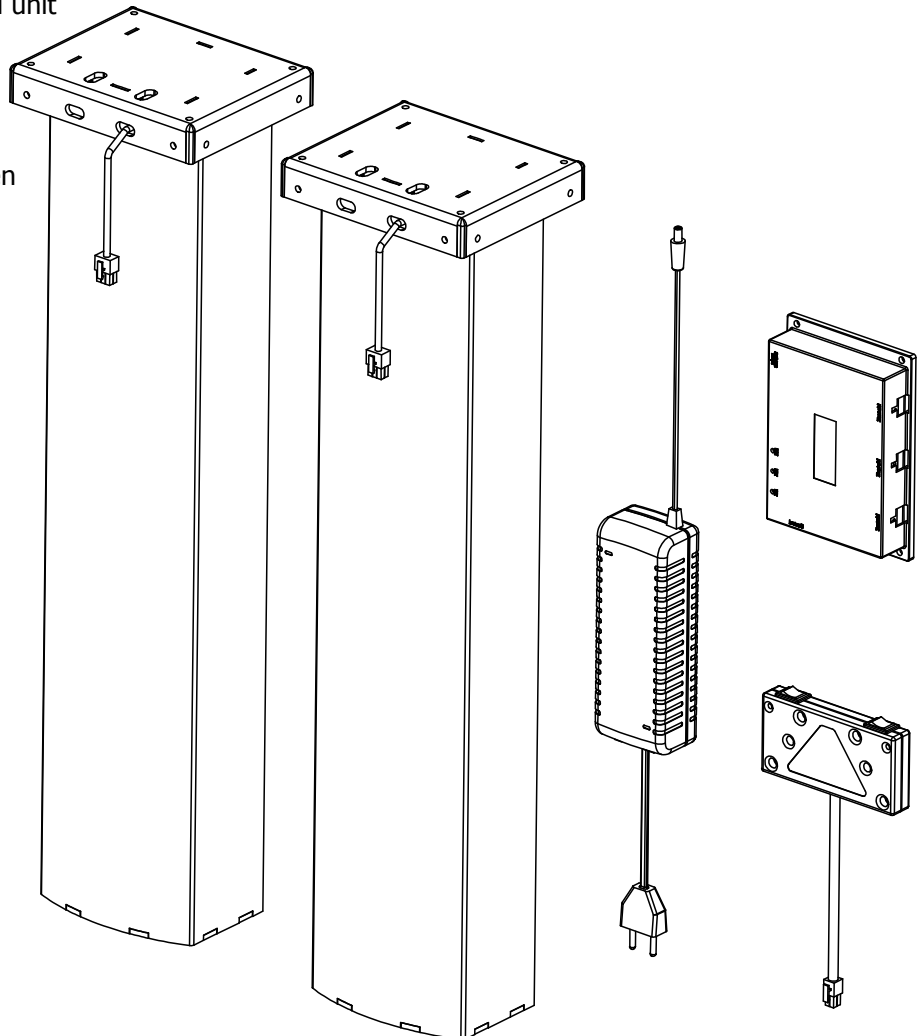
Synchronizing unit

Suitable for 3 columns

Max. weight difference between
columns 50 kilos

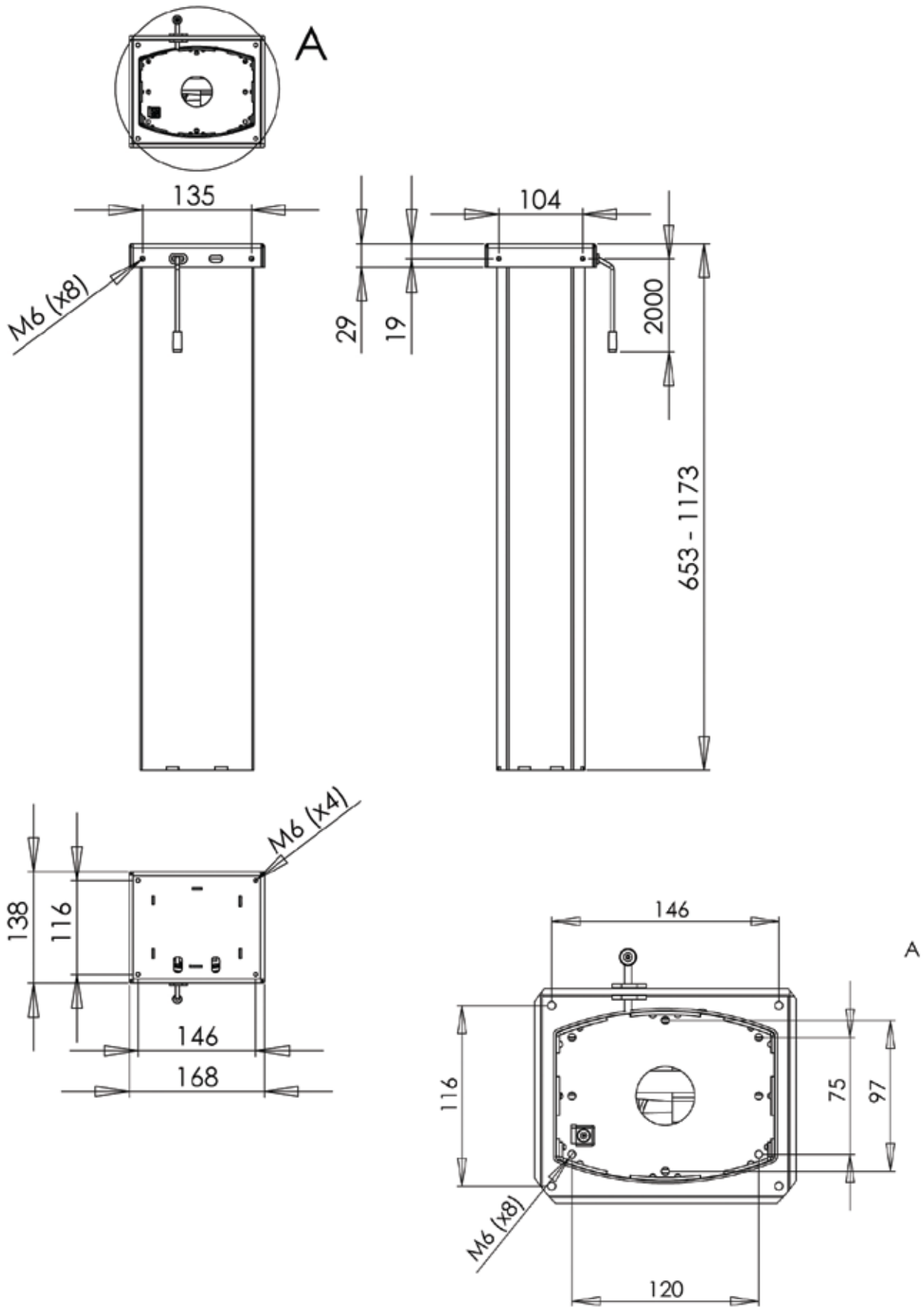
Auto overload protected

Short circuit protected



VENSET®

DF023 technical drawings



VENSET®