

DF019 Electric leg

This column is the solution for the furniture manufacturer, who wants to design and produce their own height adjustable systems. Extremely rigid construction in all load directions. Easy to adapt due to M6 treads at both ends.

The column is adjustable within the range of 66-118cm. Powder coated in silver RAL9006 and black RAL9004.

Plug and play. Fitted with power supply 200-240 VAC and control unit.

Features:

- Lifting capacity 100 kg
- Height range 66-118 cm
- Speed 28 mm per second



VENSET®

DF019 component specifications

Lifting column

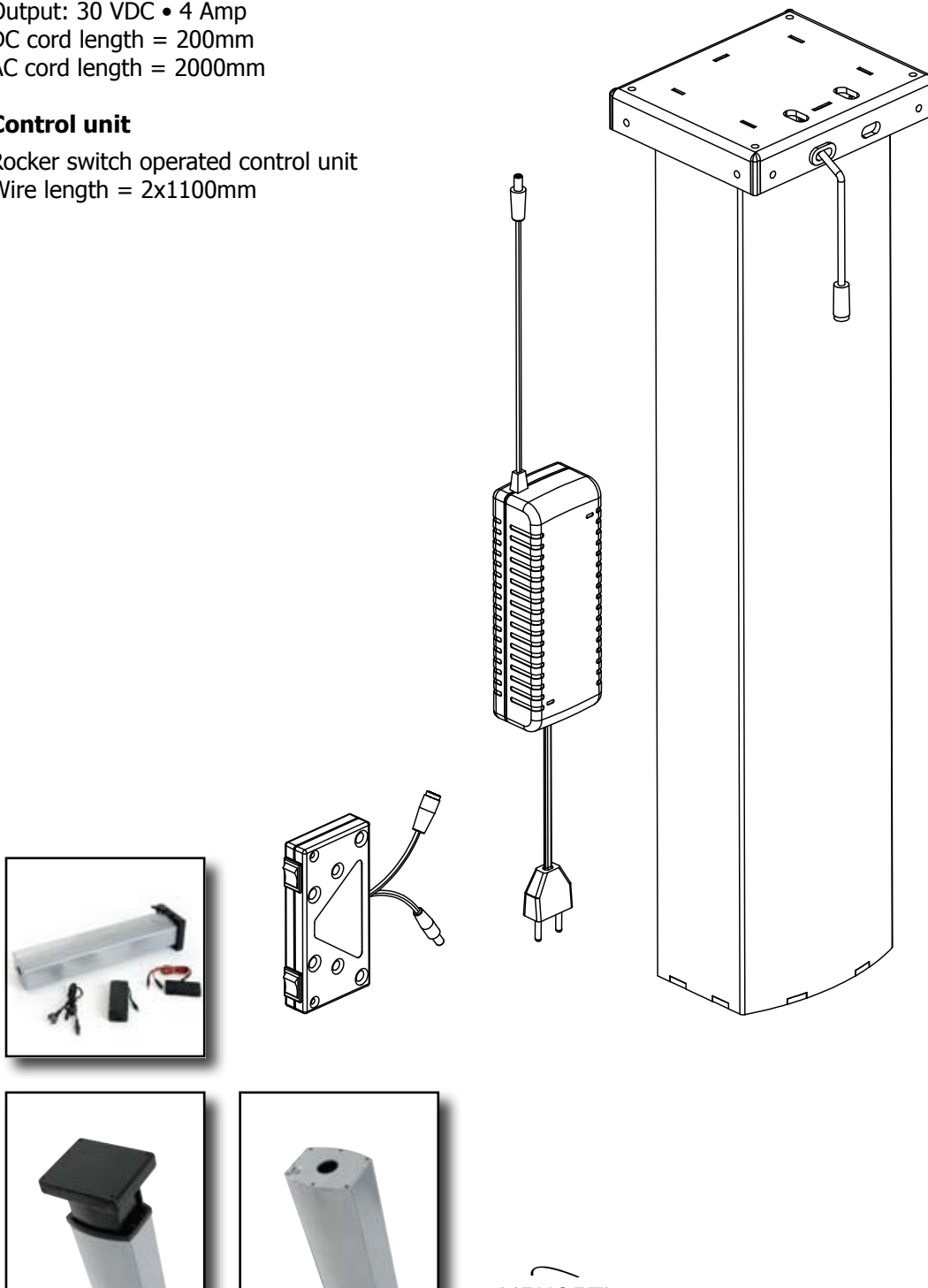
Metal sheet parts: St. 37-2
Gear parts: St. 70-2
Gearmotor: Bosch 0 390 257 685 or equivalent
Plastic parts: POM
Surface treatment: Visible metal parts powder coated in RAL 9004 (black) and RAL 9006 (alu-look)
Non visible metal parts surface treated (e.g. plated)

Power supply

Switch mode power supply
Input: 200-240 VAC • 56/60Hz • 1,2 A
Output: 30 VDC • 4 Amp
DC cord length = 200mm
AC cord length = 2000mm

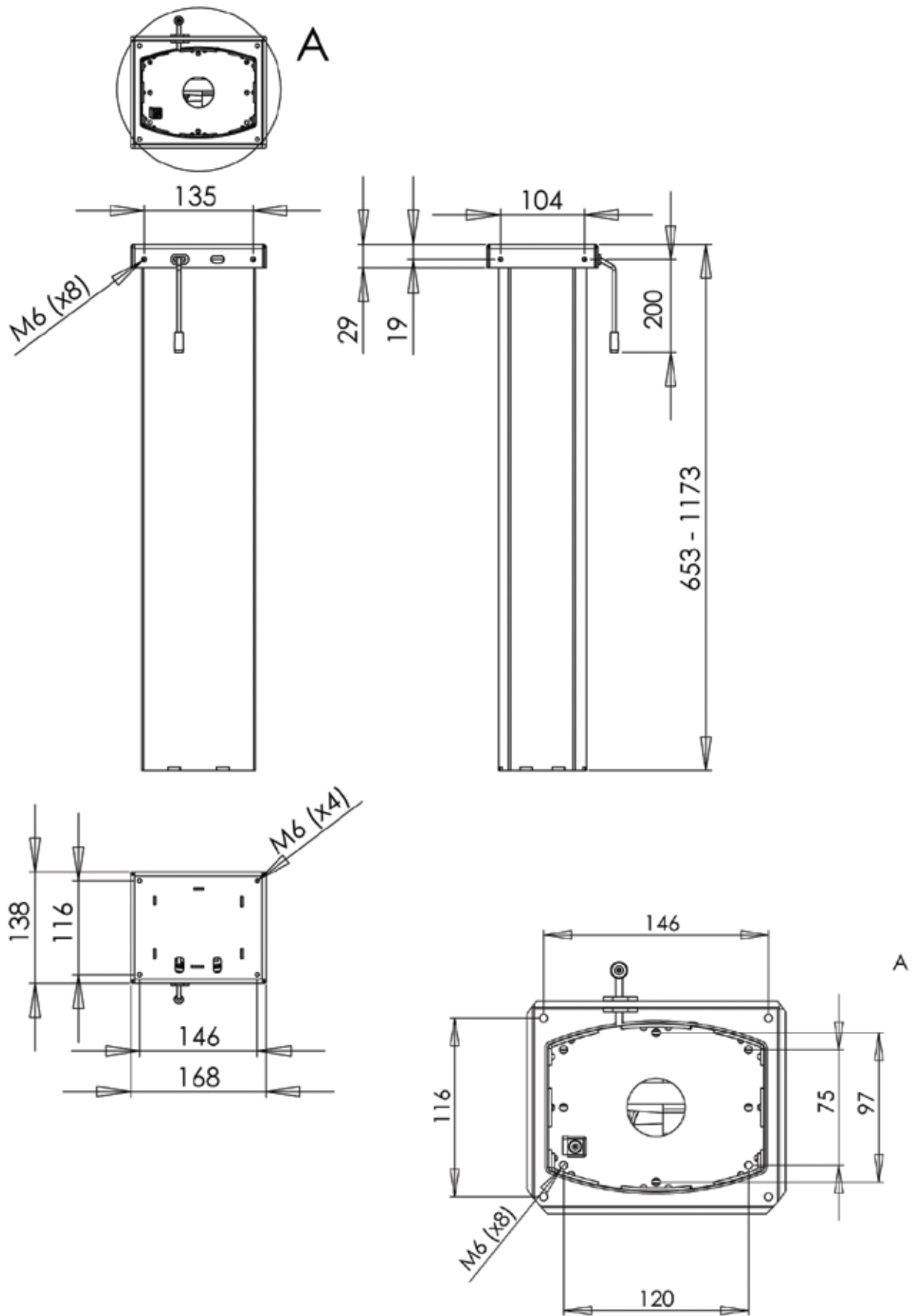
Control unit

Rocker switch operated control unit
Wire length = 2x1100mm



VENSET®

DF019 technical drawings



VENSET®