

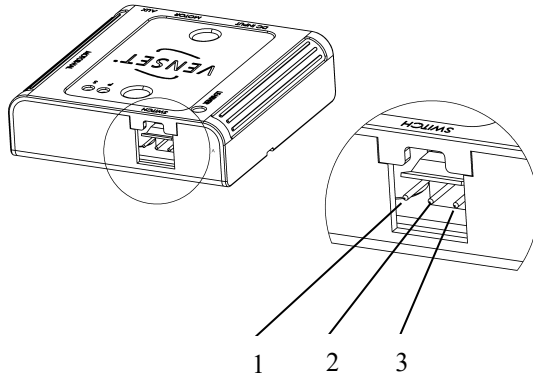
TV LIFT – ALTERNATIVE REMOTE CONTROLS WIRING REFERENCES

CONTENT:

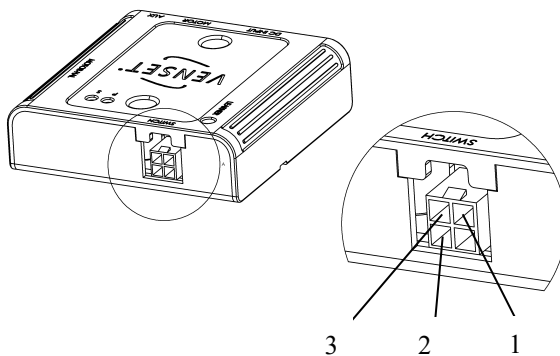
1. Venset Remote Controller	Page 2
2. Intertechno – CMR500	Page 3
3. Crestron – DMPS-300-C	Page 4
4. Control 4 – HC-250	Page 5
5. Shelly 2.5	Page 6
6. FIBARO Double Relay Switch	Page 7

1. Remote DF019, R111900, R109980, R110080, R119320, R119090 or R112210

Version with 3 pin socket:



Version with 4 pin socket:



Pin Description:

Pin	Description
1	Control signal: pull in system (is internally pulled-up to 5V)
2	Common (GND) for both signals
3	Control signal: pull out system (is internally pulled-up to 5V)

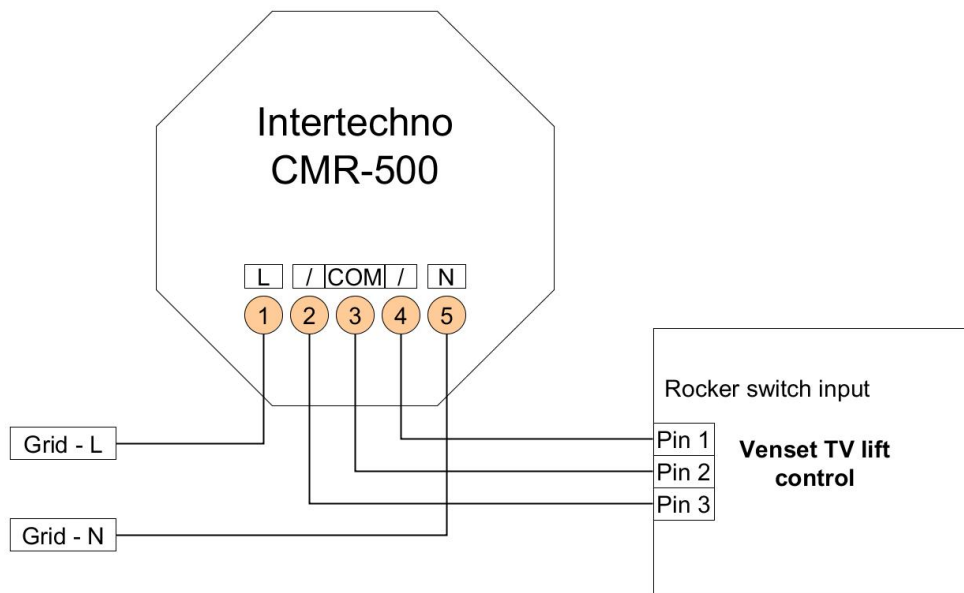
Truth table:

Pin 1 – Pin 2	Pin 3 – Pin 2	Operation
Open	Open	None
Open	Closed	Pull in
Closed	Open	Pull out
Closed	Closed	None

2. Intertechno – CMR-500.

Manufacturer:	Intertechno
Contact:	www.intertechno.at
Part No:	CMR-500 Jalousieschalter
Compatible with control – Item No:	Remote DF019, R111900, R109980, R110080, R119320, R119090, R112210,

Connection diagram:



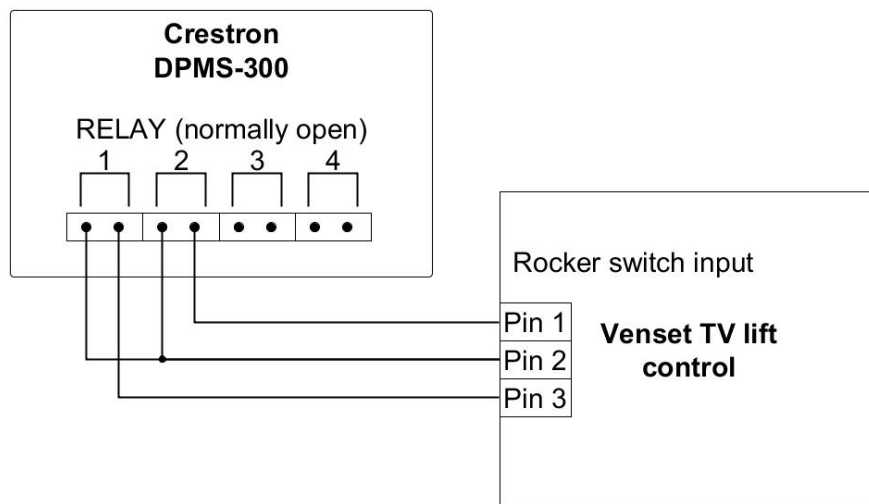
Description:

The Intertechno CMR-500 module is a 434MHz RF jalousie control system that can be used to control different TV lifts based on the listed control units. The CMR-500 gets connected to Rocker switch input and the wiring diagram is shown in the picture above. To reverse the operation direction of the TV lift, swap the cables Pin 1 and Pin 3 of the Venset TV lift control.

3. Crestron – DMPS-300-C.

Manufacturer:	Crestron
Contact:	www.crestron.com
Part No:	DMPS-300-C
Compatible with control – Item No:	Remote DF019, R111900, R109980, R110080, R119320, R119090, R112210,

Connection diagram:



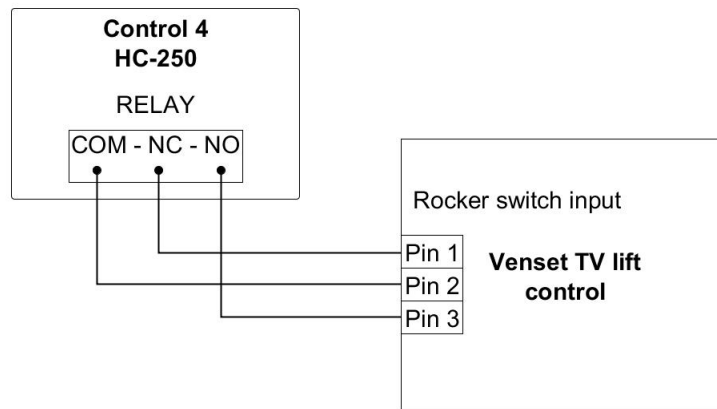
Description:

The Crestron DPMS-300-C is an advanced presentation system with relay outputs and The DPMS-300-C gets connected to Rocker switch input and the wiring diagram is shown in the picture above. To reverse the operation direction of the TV lift, swap the cables Pin 1 and Pin 3 of the Venset TV lift control.

4. Control4 – HC-250.

Manufacturer:	Control4
Contact:	www.control4.com
Part No:	HC-250 Controller
Compatible with control – Item No:	Remote DF019, R111900, R109980, R110080, R119320, R119090, R112210,

Connection diagram:



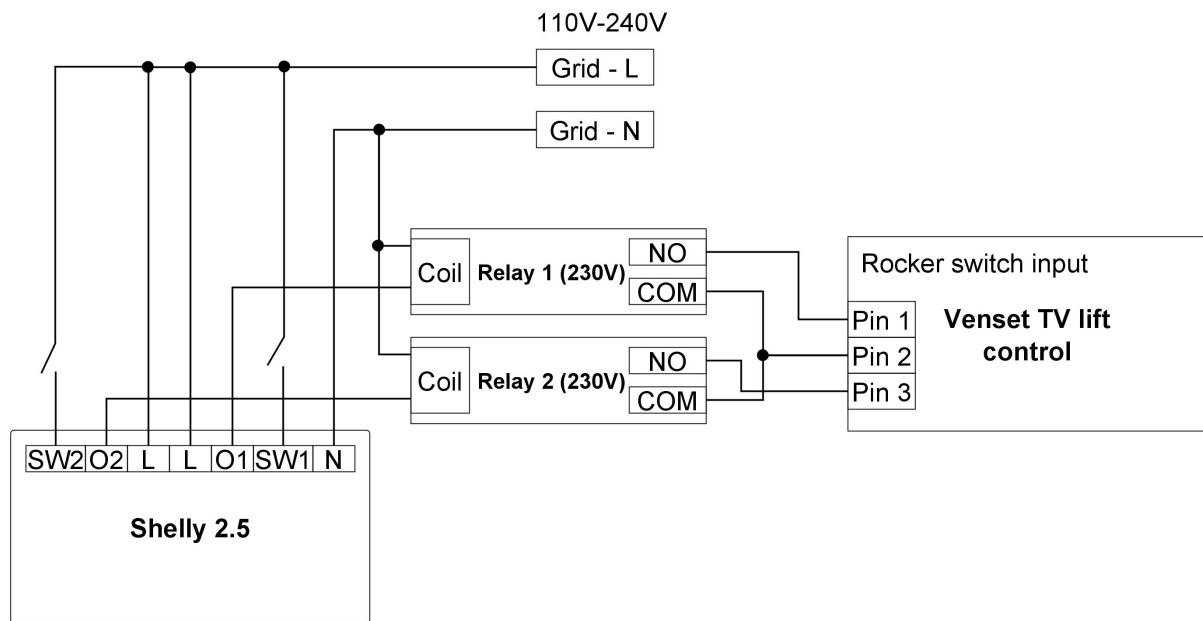
Description:

The Control4 HC-250 is a home automation system with a relay output. The HC-250 gets connected to Rocker switch input and the wiring diagram is shown in the picture above. Because one control direction is always active, the TV lift will always move until it reaches an end position. After 60s, the Venset TV lift control disables the internal relays. To reverse the operation direction of the TV lift, swap the cables Pin 1 and Pin 3 of the Venset TV lift control.

5. Shelly 2.5

Manufacturer:	Shelly Europe
Contact:	https://shop.shelly.cloud
Part No:	Shelly 2.5 – CE + UL
Compatible with control – Item No:	Remote DF019, R111900, R109980, R110080, R119320, R119090, R112210,

Connection diagram:



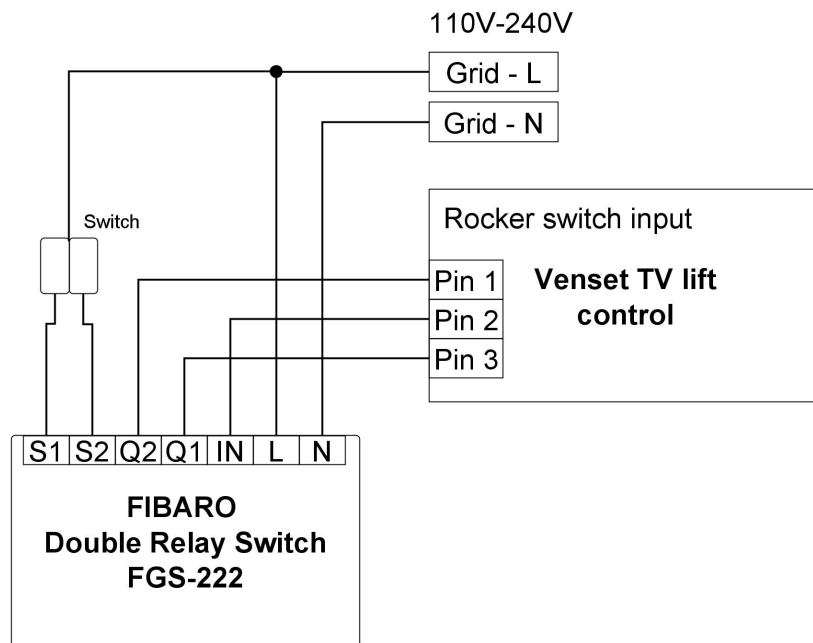
Description:

The Shelly 2.5 doesn't have galvanic isolated outputs and therefore requires 2 additional external relays. To reverse the operation direction of the TV lift, swap the cables Pin 1 and Pin 3 of the Venset TV lift control.

6. FIBARO – Double Relay Switch

Manufacturer:	FIBARO
Contact:	www.fibaro.com
Part No:	FGS-222
Compatible with control – Item No:	Remote DF019, R111900, R109980, R110080, R119320, R119090, R112210,

Connection diagram:



Description:

The Fibaro FGS-222 is an advanced presentation system with relay outputs and The FGS-222 gets connected to Rocker switch input and the wiring diagram is shown in the picture above. To reverse the operation direction of the TV lift, swap the cables Pin 1 and Pin 3 of the Venset TV lift control.