

## Table of contents

Article numbers	page 3
Packing details	page 4
Bill of materials	page 5
Assembly and use	page 6
Dimensions	page 7
Specifications	page 8
Safety & test	page 9

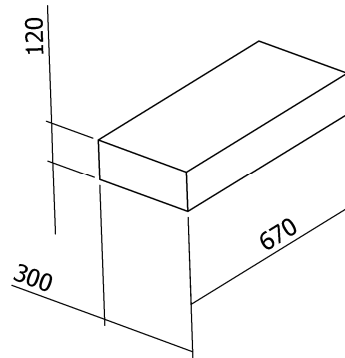
## Article numbers

Article number	EAN code
TS700C 7BXX1	5 708499 144841
TS700C 8BXX1	5 708499 144858

## Ordering example

TS	700	A	7	B	XX1		
					XX1	Free numbers	
				B		Colour B = Black RAL 9004	
			7			AC Plug and voltage 7 = EU & UK, 2-Pin plug, 100-240VAC 8 = US, 2-Pin plug, 100-240VAC	
		A				Configuration A, B or C	
		700					Stroke 700 = 700mm
TS						Mechanism type TS = TV Stand	

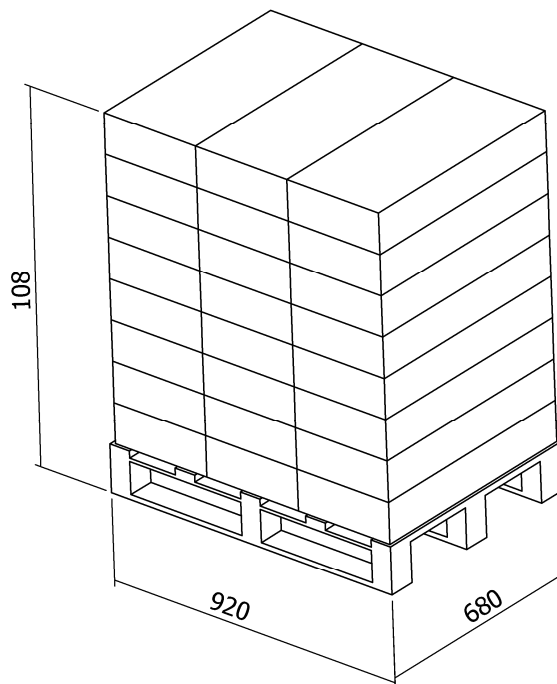
**Packing details**



1 pcs.

16,0 kg

0,023 m<sup>3</sup>

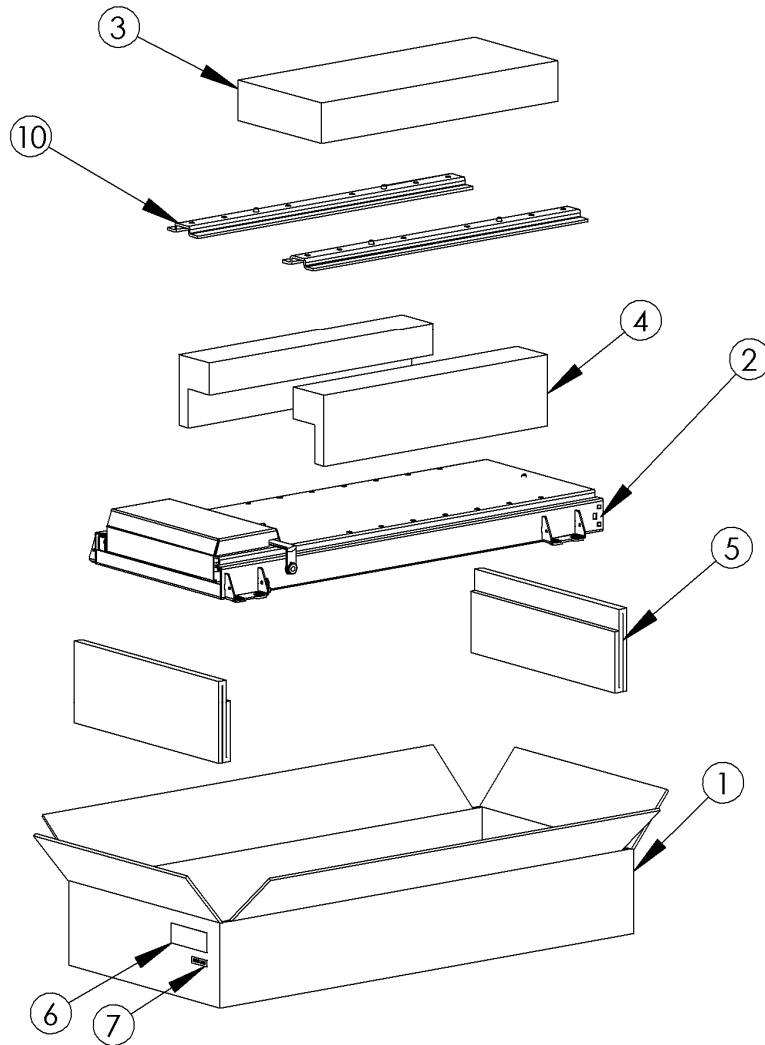


24 pcs.

399 kg

0,813 m<sup>3</sup>

**Bill of material**

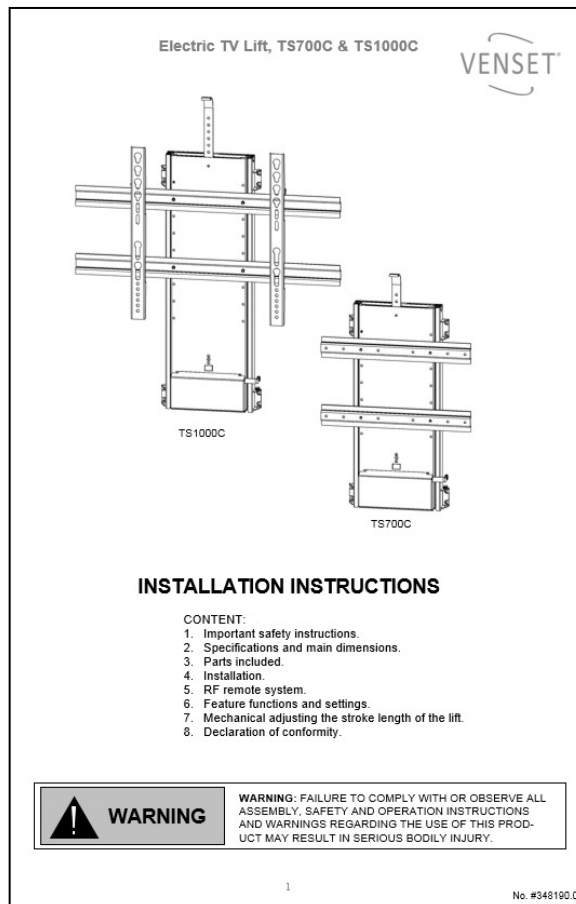


ITEM NO.	QTY	PART NO.	DESCRIPTION
1	1	323870	Cardboard box,
2	1	144920	TS700C assembly
3	1	114890	C - Power and acc. box packed, EU
4	2	323880	PS block
5	2	313710	Cardboard block
6	1	316960	ID label
7	1	317920	Serial no. label
10	2	117300	Screen arm assembly

## Assembly and use

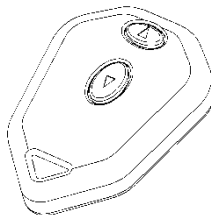
The electrical components should be connected after mounting the lift. All wires have DC jacks or multi plugs and since using different types only the correct connection can be made.

All products come with an instruction manual.

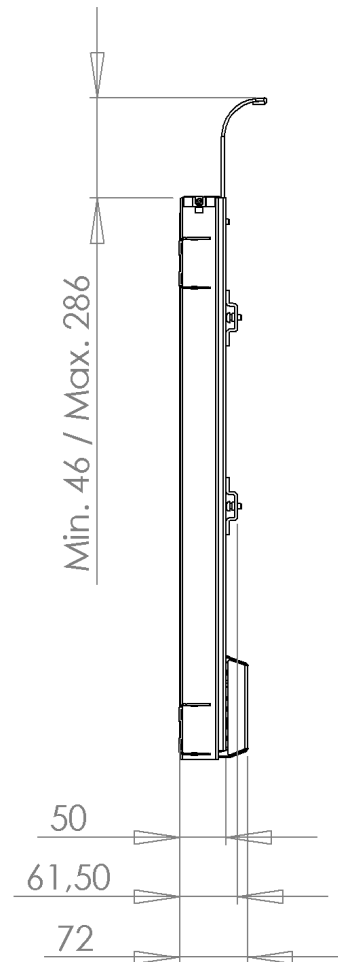
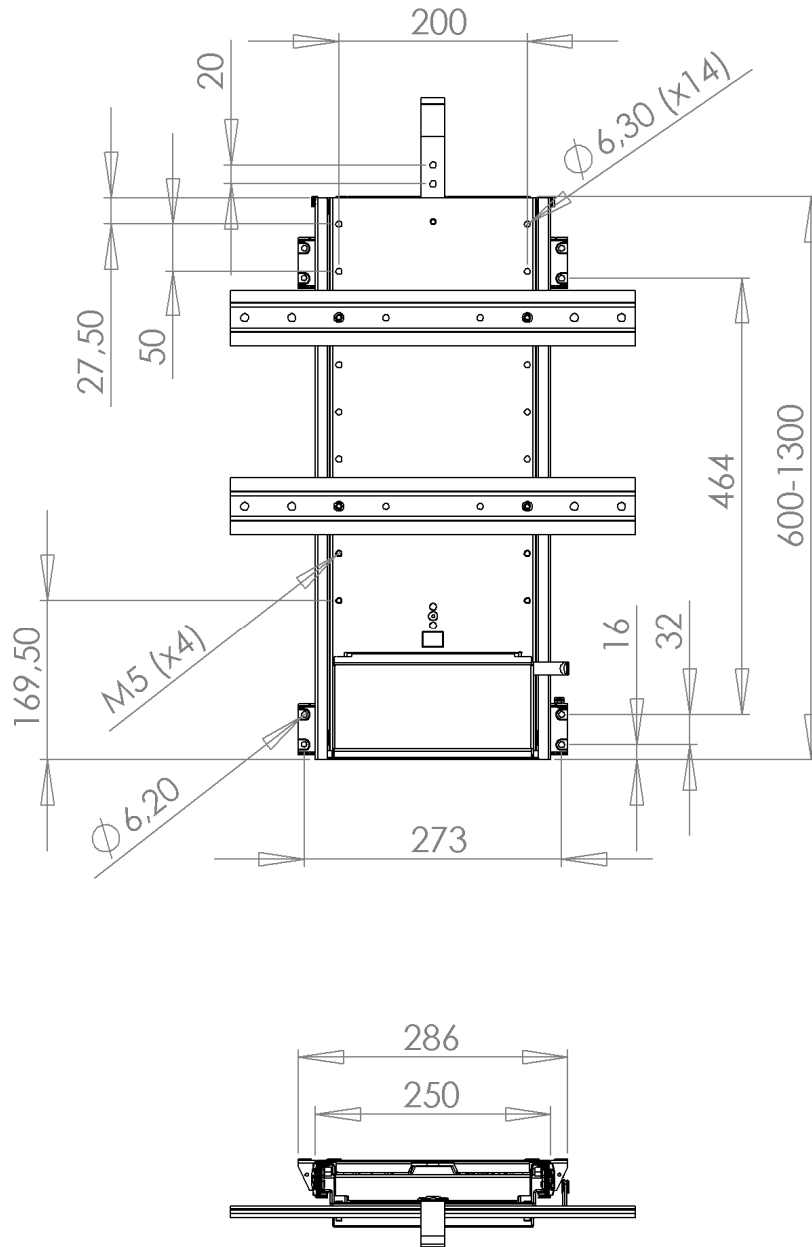


The mechanism can now be operated up and down using the supplied remote unit. Push "△" and the lift will expand. Pushing "▽" and the lift will contract.

Anti squeeze – auto reverse function: If the product hits an item on its way down, it will reverse a bit in up going direction. The pressure given before reversing is equal to the weight of the TV that is mounted.



**Dimensions [mm]**



## Specifications

### Mechanism

Stroke	700mm
Max. working loads:	65 kg (by standard installation) 29 kg (when lift is mounted upside down) 100 kg peak load
Duty cycle:	10% by 50% of working load or max 2 min. continuously
Speed	28 mm/sec (unloaded)
VESA	400x400 - 400x300 - 400x200 - 400x100  300x300  200x200 - 200x100  100x100

### Component

Metal sheet parts:	St 37-2
Gear parts:	St 70-2
Gear motor:	VENSET brand motor no. 116490
Power supply:	80 W AC Power Transformer  Standby < 0,15 Watt
Plastic components:	PEHD, PA6, POM
Surface treatment	Visible metal parts powder coated in black colour, RAL 9004  Non visible metal parts are surface treated  (e.g. zinc plated)
Operating system:	Rocker switch or RF remote system
Remote system	RF signal operated (Radio frequency – 433,92Hz)



**Safety & test****Overensstemmelseserklæring**

Declaration of conformity

Fabrikant (navn og adresse): VENSET A/S, Nygade 63, DK-6900 Skjern, Denmark  
 Manufacturer (name and address):

Erklærer hermed, at følgende produkt:  
 Hereby certify that the following product:

Benævnelse, mærke, type:  
 Description, ID/mark, type:

Elektrisk TV-lift, TS700 & TS1000 series  
 Electric TV-lift, TS700 & TS1000 series

Evt. serienr.:  
 Serial No. if any:

Alle efter serie nr. V-00067  
 All after serial No. V-00067

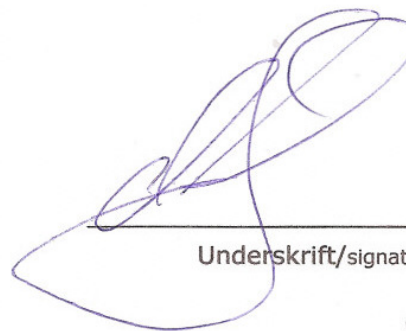
Er fremstillet i overensstemmelse med Europa-Parlamentets og Rådets Direktiv af 15. december 2004 om indbyrdes tilnærmelse af medlemsstaternes lovgivning om elektromagnetiske kompatibilitet (2004/108/EF) ifølge standarderne DS/EN 55014-1:2007, DS/EN 55014-2:1997, DS/EN 61000-3-2:2006, EN 61000-3-3:2008  
 Complies with the EMC directive 2004/108/EC according to the standards DS/EN 55014-1:2007, DS/EN 55014-2:1997, DS/EN 61000-3-2:2006, EN 61000-3-3:2008

og er fremstillet i overensstemmelse med Europa-Parlamentets og Rådets Direktiv af 12. december 2006 om indbyrdes tilnærmelse af medlemsstaternes lovgivning om elektrisk materiel bestemt til anvendelse inden for visse spændingsgrænser (2006/95/EF) ifølge standarden DS/EN 60335-1:2006  
 and complies with the DIRECTIVE 2006/95/EC OF THE EUROPEAN PARLIAMENT AND OF THE COUNCIL of 12 December 2006 on the harmonization of the laws of Member States relating to electrical equipment designed for use within certain voltage limits (codified version) according to the standard DS/EN 60335-1:2006

Navn, titel og underskrift af fabrikanten:  
 Name, title and signature of manufacturer:

28/8-2008

Dato/date



Underskrift/signature

M. Overgaard  
 Approval Engineer

**VENSET**

VENSET A/S  
 Nygade 63 · DK-6900 Skjern  
 Tel: +45 9735 4611 · Fax: +45 9735 4631

**VENSET**

## EF – komponenterklæring type "bilag II B"

EEC Declaration of a component "appendix II B"

Fabrikant (navn og adresse):

Manufacturer (name and address):

VENSET A/S, Nygade 63, 6900 Skjern, Denmark

Erklærer hermed, at følgende produkt:

Hereby certify that the following product:

Benævnelse, mærke, type:

Description, ID/mark, type:

Elektrisk TV-lift, TS700 & TS1000 series

Electric TV-lift, TS700 & TS1000 series

Evt. serienr.:

Serial No. if any:

Alle efter serie nr. V-00067

All after serial No. V-00067

Evt. bemyndigede organ og nr.

Notified body if any:

Teknologisk Institut, Århus, Denmark

Evt. EF- typeattest:

EEC-type certificate if any:

Evt. Harmoniserede standarder:

Harmonised standards if any:

Er fremstillet i overensstemmelse med bekendtgørelse nr. 561 af 24. juni 1994, der gennemfører EUROPA-PARLAMENTETS OG RÅDETS DIREKTIV 98/37/EF

Made according to announcement No. 561 of June 24, 1994 that implements the DIRECTIV 98/37/EF

Ovennævnte produkt må **IKKE** tages i brug, før den maskine, hvori det er indbygget eller hvortil det skal anvendes er erklæret i overensstemmelse med alle relevante bestemmelser.

Above product may **not** be taken into use, before the machine into which it has been built in or to which purpose it must be used for, conform to any relevant regulations.

Navn, titel og underskrift af fabrikanten:

Name, title and signature of manufacturer:

28/8-2009

Dato/date

  
M. Overgaard  
Approval Engineer

Underskrift/signature

**VENSET**

VENSET A/S  
Nygade 63 · DK-6900 Skjern  
Tel: +45 9735 4611 · Fax: +45 9735 4631