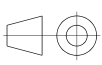
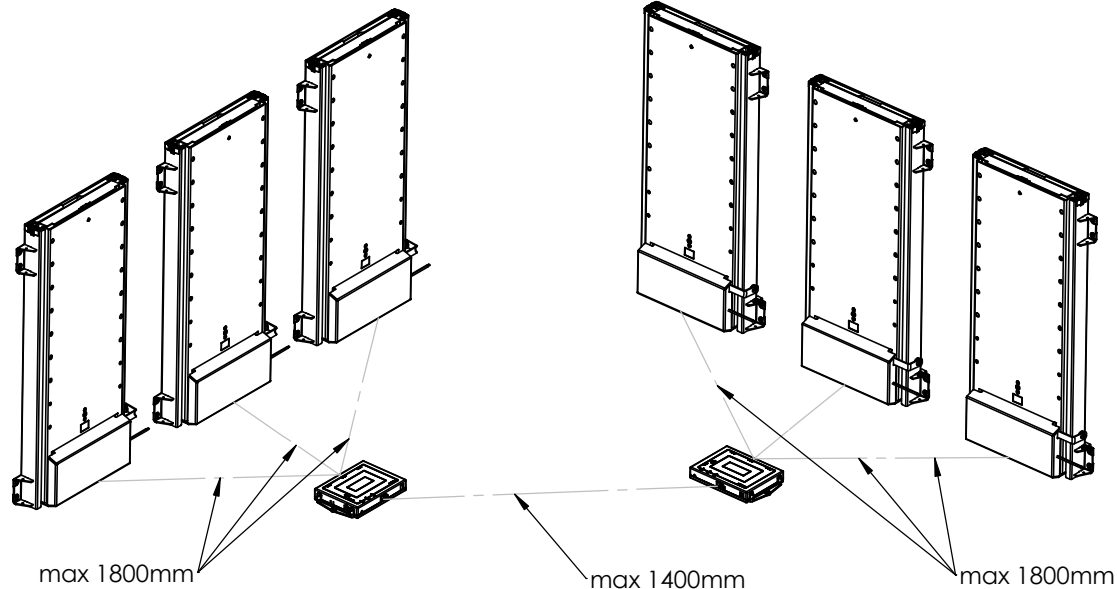
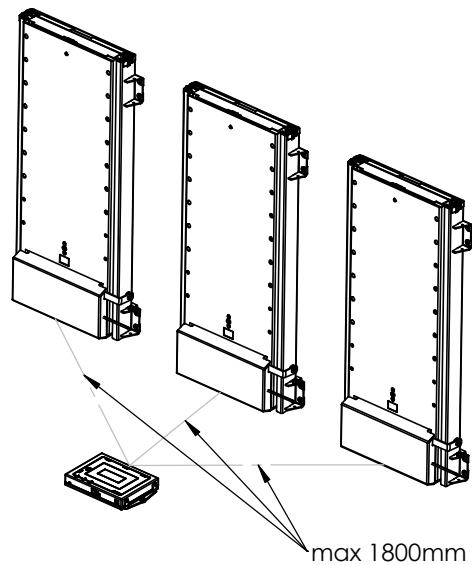


See page 2 for combination of BASICS

DO NOT SCALE DRAWING SHEET 1 OF 2		WEIGHT:		 <b>VENSEC A/S</b> Industrivej 23 - 6900 Skjern - Denmark <a href="http://www.venset.com">www.venset.com</a>	
UNLESS OTHERWISE SPECIFIED: DIMENSIONS ARE IN MILLIMETERS TOLERANCES: LINEAR: According to ANGULAR: DIN 7168-m		NAME	DATE		
		DRAWN	jo	20-05-2019	TITLE:
<b>PROPRIETARY AND CONFIDENTIAL</b> THE INFORMATION CONTAINED IN THIS DRAWING IS THE SOLE PROPERTY OF VENSEC A/S. ANY REPRODUCTION IN PART OR AS A WHOLE WITHOUT THE WRITTEN PERMISSION OF VENSEC A/S IS PROHIBITED.		CHECKED		TS700C BASIC main measures	
		Processes:		DWG NO.	
REMARKS:		150360		REVISION	
				0	

2-3 pcs TS700/1000C BASIC combined

4-6 pcs TS700/1000C BASIC combined



DO NOT SCALE DRAWING	SHEET 2 OF 2			VENSET A/S Industrivej 23 DK-6900 Skjern Denmark
UNLESS OTHERWISE SPECIFIED: DIMENSIONS ARE IN MILLIMETERS TOLERANCES: LINEAR: According to ANGULAR: DIN 7168-m	DRAWN	NAME jo	DATE 20-05-2019	TITLE: TS700/1000C BASIC combinations
	CHECKED	Processes:		DWG NO. 150360
<b>PROPRIETARY AND CONFIDENTIAL</b> THE INFORMATION CONTAINED IN THIS DRAWING IS THE SOLE PROPERTY OF VENSET A/S. ANY REPRODUCTION IN PART OR AS A WHOLE WITHOUT THE WRITTEN PERMISSION OF VENSET A/S IS PROHIBITED.	WEIGHT:			REVISION 0