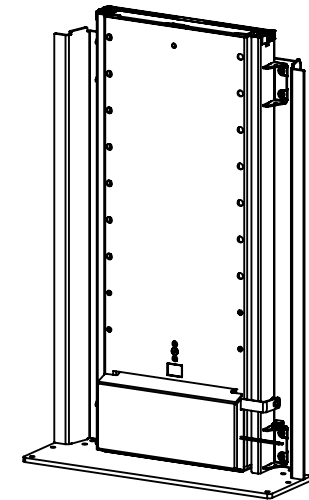
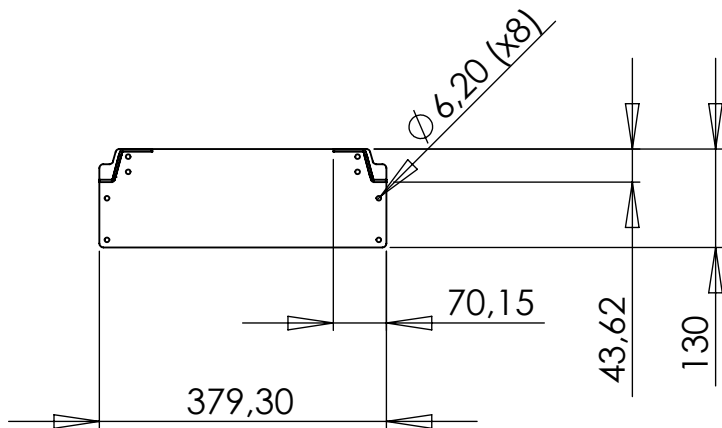
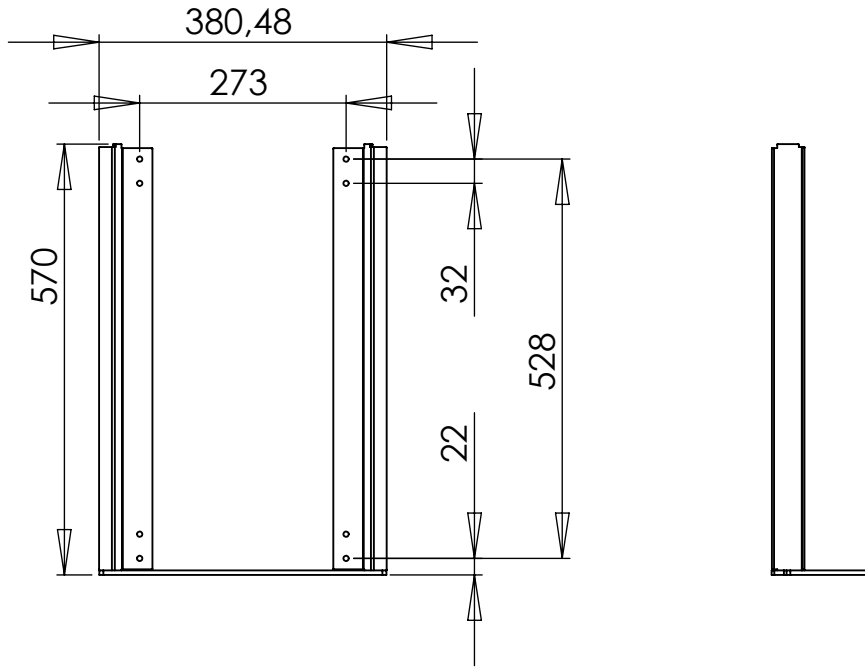
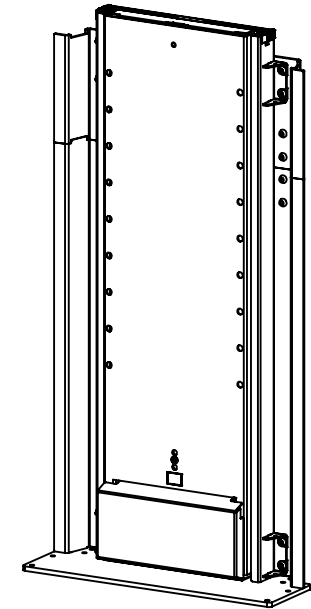
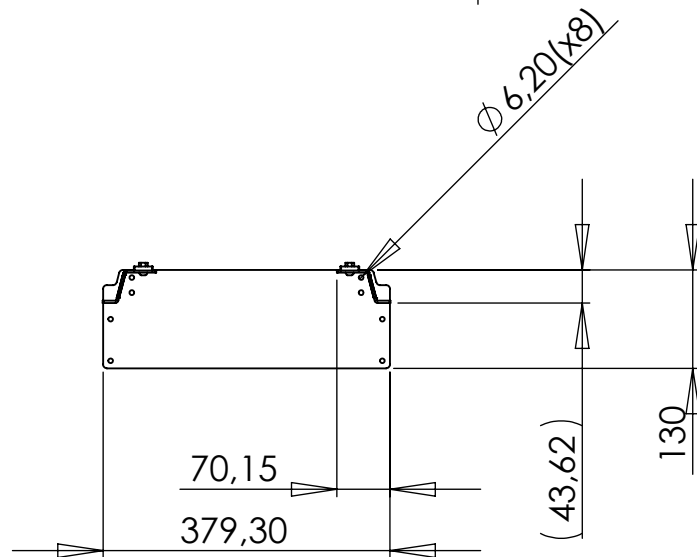
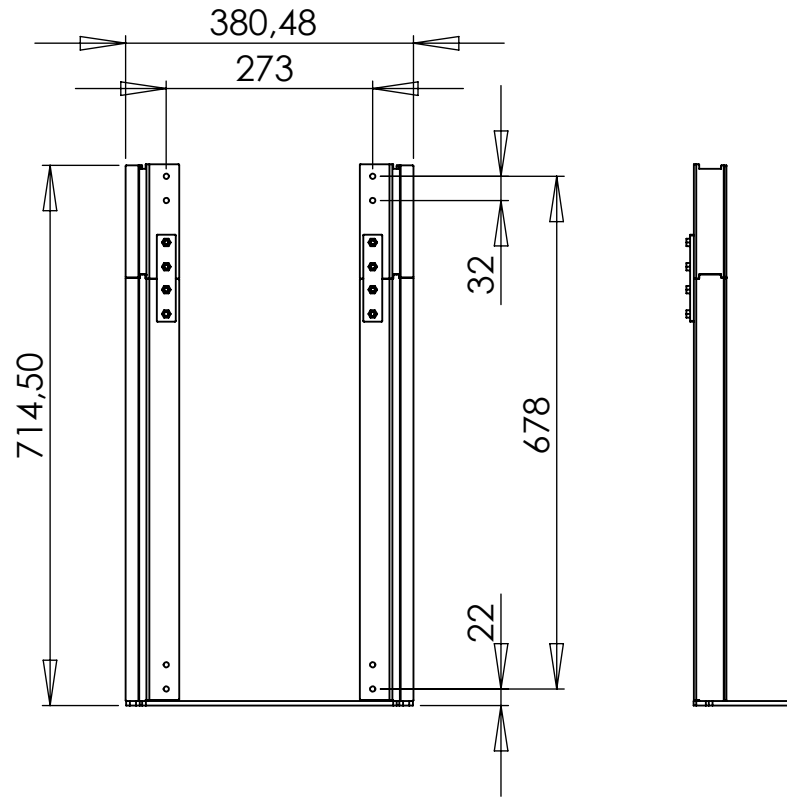


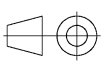
TS700



DO NOT SCALE DRAWING SHEET 1 OF 2	WEIGHT:		VENSET A/S Nygade 63 - 6900 Skjern - Denmark www.venset.com	
UNLESS OTHERWISE SPECIFIED: DIMENSIONS ARE IN MILLIMETERS TOLERANCES: LINEAR: According to ANGULAR: DIN 7168-m	DRAWN	NAME	DATE	TITLE:
	CHECKED	AL	24-01-25	FM1000 main measures
PROPRIETARY AND CONFIDENTIAL THE INFORMATION CONTAINED IN THIS DRAWING IS THE SOLE PROPERTY OF VENSET A/S. ANY REPRODUCTION IN PART OR AS A WHOLE WITHOUT THE WRITTEN PERMISSION OF VENSET A/S IS PROHIBITED.	Processes:			DWG NO.
	REMARKS:			121080

TS1000



DO NOT SCALE DRAWING SHEET 2 OF 2		WEIGHT:		VENSET A/S <small>Industrivej 23 DK-6900 Skjern Denmark</small>	
UNLESS OTHERWISE SPECIFIED: DIMENSIONS ARE IN MILLIMETERS TOLERANCES: LINEAR: According to ANGULAR: DIN 7168-m		NAME		DATE	TITLE:
PROPRIETARY AND CONFIDENTIAL THE INFORMATION CONTAINED IN THIS DRAWING IS THE SOLE PROPERTY OF VENSET A/S. ANY REPRODUCTION IN PART OR AS A WHOLE WITHOUT THE WRITTEN PERMISSION OF VENSET A/S IS PROHIBITED.		DRAWN	AL	24-01-25	FM1000 main measures
		CHECKED			
		Processes:			DWG NO.
		REMARKS:			121080
					REVISION
					1