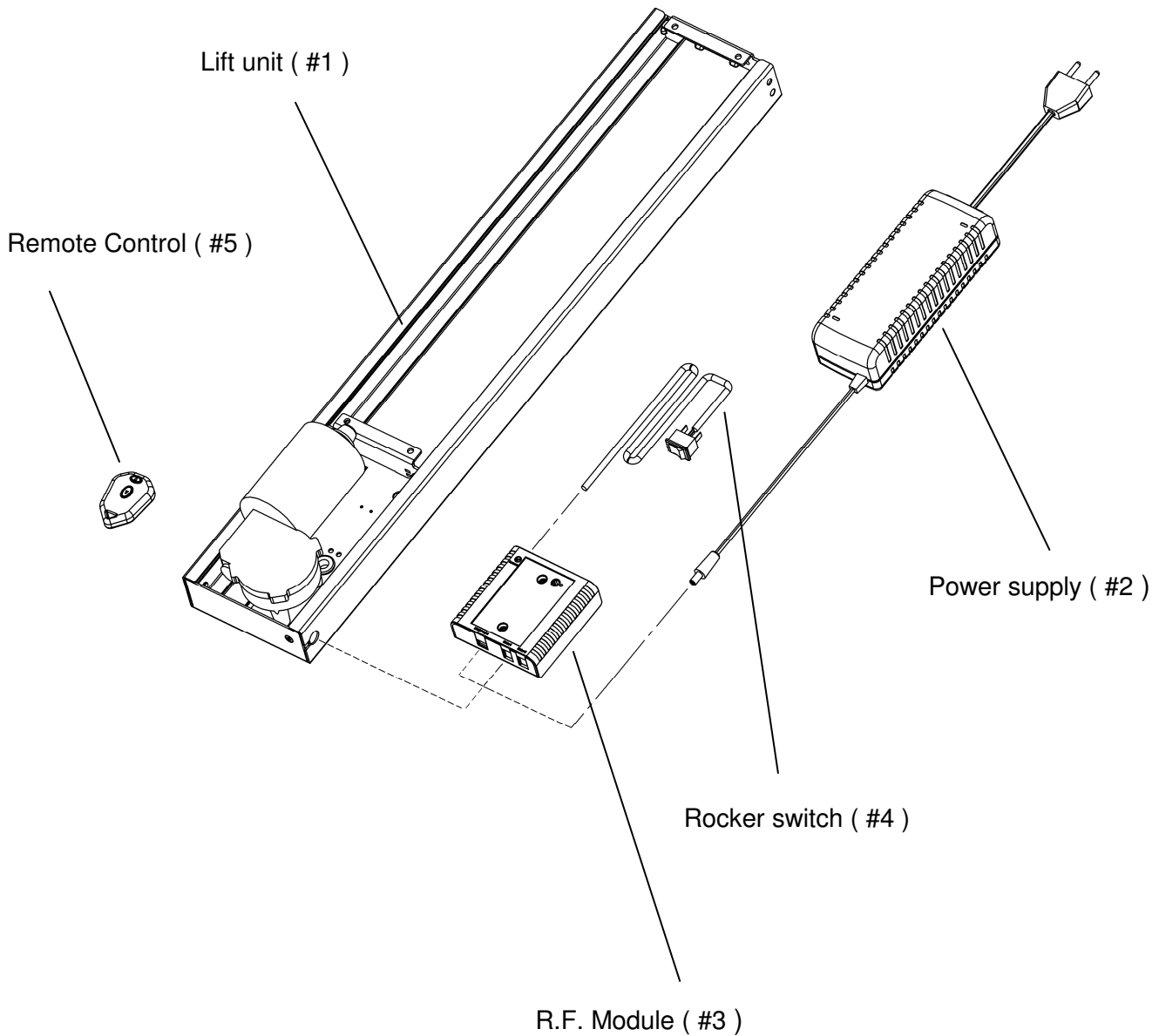


# Electrical Flat Lift, TS460B



## Parts included with your Flat Lift

- Lift unit ( #1 )
- Power supply ( #2 )
- R.F. Module ( #3 )
- Rocker switch ( #4 )
- Remote Control ( #5 )



## Important safety Instructions

**CAUTION: Before you begin any of the Installation procedures on page 3, read and follow the warnings and safety instructions on this page.**

**WARNING ! THIS IS NOT A TOY !**

**WARNING ! CHILDREN SHOULD NOT OPERATE LIFT OR  
REMOTE CONTROL !**

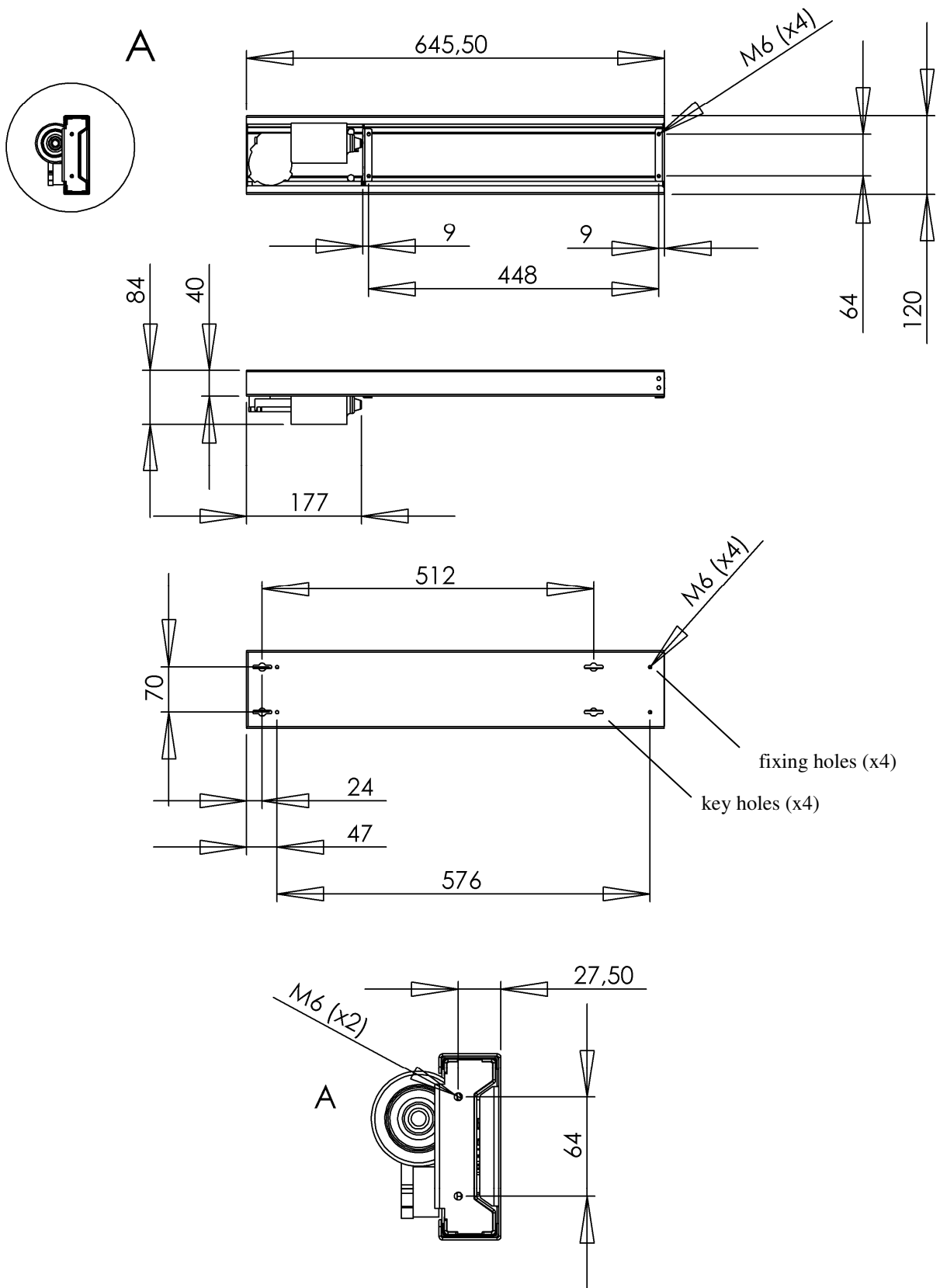
Use the following safety guidelines to help protect your lift from potential damage and to ensure your own personal safety.

- Read all the installation instructions before testing or installing your lift.
- Read and follow all safety instructions.
- Keep remote control out of reach of children.
- To prevent bodily injury keep hands and clothing away from the lift while the lift is in operation.
- Before installing the lift or working with its connections, unplug the lift from the electrical shock.
- Do not install the lift, power supply or R.F. module in places subject to extreme temperatures for example near a radiator, or heating vent.
- To avoid damaging the power supply, R.F. module and power cord, do not put anything on it or place it where it could become damaged.
- Unplug the lift in the following conditions:
  - When the power cord or plug is damaged or frayed.
  - If liquid has spilled into the lift, power supply or RF module.
  - If the lift, power supply or RF module has been exposed to rain or water.
  - If the lift exhibits a distinct change in performance, indicating a need for servicing.
- MANUFACTURERS who build this Flat Lift into other products or use it with other products, MUST make sure to prevent bodily injury. The MANUFACTURER is responsible to give the end user proper warnings and instructions for use.

# Electrical Flat Lift, TS460B



## Main measures



## **Mounting guideline**

- 1) Remove all contents from packaging and compare with parts list.
- 2) Place the lift unit (#1) on e.g. the back panel of cabinet in a location that will allow full up and down movement of the lift.
- 3) Fasten the unit securely to the cabinet. Screws must be appropriate for the material being used.
- 4) Connect the plugs from lift unit (#1) and power supply (#2) to R.F. Module (#3). Please also refer to the user instruction packed along with the remote unit.
- 5) Mount rocker switch (#4) on wanted location by cutting a hole and pressing the switch into place. Secure excess wire to keep away from moving parts.
- 6) Plug the power cord into wall outlet and test the lift. If the unit doesn't work, check all connections and retry. If still not working, refer to trouble shooting guide.

## **Declaration of conformity**

We hereby declare, under our sole responsibility that the following products:

- VENSET electric TV-lift mechanism product type TS460

which are covered by this statement, are in conformity with the following standards and other normative documents::

- Counsel Directive 89/336/EØF with later changes
- Counsel Directive 73/23/EØF with later changes

### **Manufacturer:**

VENSET A/S, Nygade 63, DK-6900 Skjern, Denmark  
Tel: +45 9735 4611, Fax: +45 9735 4631, [www.venset.com](http://www.venset.com)

**The information in this document is subject to change without notice.**

**EF – komponenterklæring type "bilag II B"**

EEC Declaration of a component "appendix II B"

Fabrikant (navn og adresse): VENSET A/S, Nygade 63, DK-6900 Skjern, Denmark  
Manufacturer (name and address):

Erklærer hermed, at følgende produkt:  
Hereby certify that the following product:

Benævnelse, mærke, type: TS460 7SXX1  
Description, ID/mark, type:

Evt. serienr.:  
Serial No. if any:

Evt. bemyndigede organ og nr. Teknologisk Institut, Århus, Denmark  
Notified body if any:

Evt. EF- typeattest:  
EEC-type certificate if any:

Evt. Harmoniserede standarder:  
Harmonised standards if any:

Er fremstillet i overensstemmelse med bekendtgørelse nr. 561 af 24. juni 1994, der gennemfører EUROPA-PARLAMENTETS OG RÅDETS DIREKTIV 98/37/EF  
Made according to announcement No. 561 of June 24, 1994 that implements the DIRECTIV 98/37/EF

Ovennævnte produkt må **IKKE** tages i brug, før den maskine, hvori det er indbygget eller hvortil det skal anvendes er erklæret i overensstemmelse med alle relevante bestemmelser.  
Above product may **not** be taken into use, before the machine into which is has been built in or to which purpose it must be used for, conform to any relevant regulations.

Navn, titel og underskrift af fabrikanten:  
Name, title and signature of manufacturer:

08-11-2007  
Dato/date

Michael Overgaard, Direktør  
  
Underskrift/signature