

Instruction for VENSET electrical window opener

Article no.: 111

Please read the enclosed instructions for use and assembly before installation and use. This instruction describes the installation of the following articles in combination; Opener no. 111, Control panel no. 112 and Power supply no. 114.

Contents:

1. Advice on security and warnings
2. Guidelines for use
3. Installation
4. Operation
5. Maintenance
6. Technical data
7. Declaration of conformity

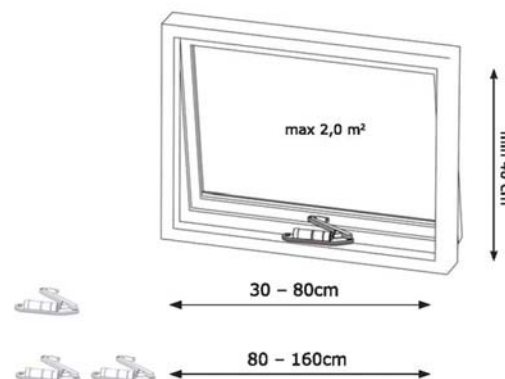
1. Advice on security and warnings

- This product complies with all prescribed security regulations. Inappropriate use can cause damage to users and product.
- VENSET cannot be held responsible for any damage on the window or other parts of the building, whether it is caused by ordinary use, wrong installation, unauthorized maintenance or incorrect use.
- Please read the instruction before using the window the first time. It will give you important directions as to security, use and installation of the window opener, and thus prevent any damage on both you and the product.
- Electrically operated windows may constitute a risk of squeezing body parts within the window's functioning area. If this window opener is installed somewhere presenting this risk, we recommend that you replace the standard control panel with a Security panel, article no. 901, which secures that the opener is only in motion, as long as the button is activated.
- If the window opener is controlled automatically, situations may occur where the window opener does not stop, until the window is completely closed. This can cause a squeezing risk, and these kinds of controls should not be used, if there is any risk of bodily harm, or if the user cannot visually make sure that there is no such risk.
- This window opener may not be used on windows functioning as emergency exits.
- Please keep this instruction hereafter.

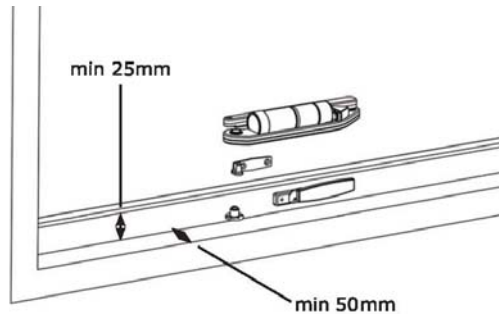
2. Guidelines for use

- This electrical window opener has been designed for installation in most windows opening outwards. The window's opening range must be at least 20 cm, and it should open with minimal effort.
- The user is responsible for the window opener being properly installed in both frame and sill, and whether the window is suitable for electrical operation or not.

Install the window opener opposite the hinges of the window. The window opener takes up at least 30 cm on the sill. The distance between the hinges of the window and the sill, where the window opener is installed must be at least 40 cm. On windows wider than 80 cm we recommend that you install 2 window openers. Please note that all measurements are consultative, and that maximum and minimum measurements depend on the construction of the window.



On the frame you need at least 25 mm and on the sill at least 50 mm, when the window is closed.



- If the window opener is to be installed on roof windows, such as Velux or Fakro, you must use Fitting set A, article no. 812, together with the window opener.
- For the installation in these windows please see the instruction for Fitting set A, article no. 812.
- If the measure 50mm is less, the Fitting set B, article no. 813 should be used.

3. Installation

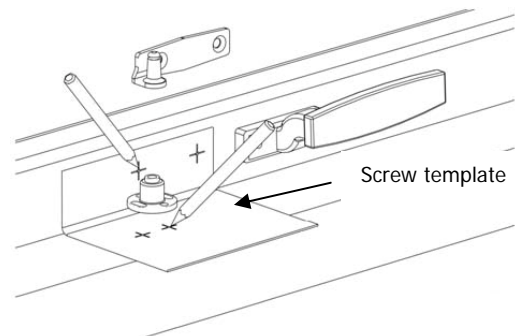
- Risk of bodily harm: Be careful that the window does not suddenly open or close uncontrollably during the installation of the window opener.
- The VENSET window opener replaces the ordinary operating and locking devices of the window.
- The hinges of the window must be oiled to make sure that the window open and close with minimal effort.
- Make sure that the window opener can slide unimpeded over the sill when opening the window.

Installation of fittings on sill and frame:

Close/lock the window as usual.

Install the window opener on the sill opposite the hinges. On the inner top of the box you find the screw template, which is used for marking holes in the frame and sill for the fittings. Make this marking with the window closed/locked with the original fittings to make sure that the window will close just as tightly with the window opener as it did before the installation.

The fittings for frame and sill for the VENSET window opener are installed as shown on the sketch.



Installation of the window opener:

Open the window and dismantle the present handle. On delivery the window opener is closed. Open it half way before the installation; it will make the installation easier. To do this you need the enclosed power supply and control panel. Install the window opener on the fittings of frame and sill.



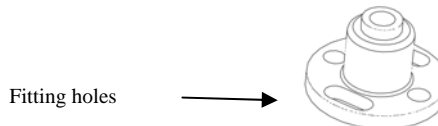
Installation of cord and control panel:

It is recommended that the cord around the sill is secured properly by e.g. moulding tape.

Mount the control panel to the wall and connect the wires between window opener, control panel and power supply. Wires are connected color to color. System are short-circuit protected!

Adjustment:

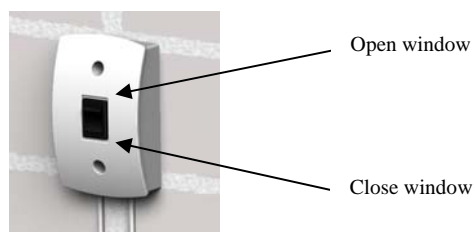
Normally, secondary adjustment is not necessary, but it can be done by sliding the fitting on the sill back and forth in the oblong fitting holes.



4. Operation

Before operating the window opener the user should make sure that neither persons nor objects are blocking the window. Children should not operate the window opener without adults present.

Electrically operated windows may constitute a risk of squeezing body parts or objects within the window's functioning area. At squeezing risk we recommend Security panel, article no. 901.

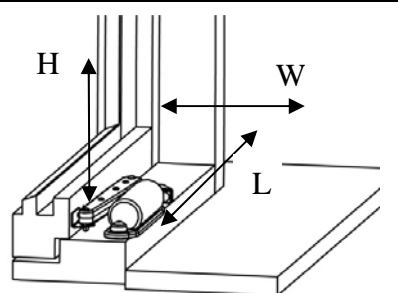


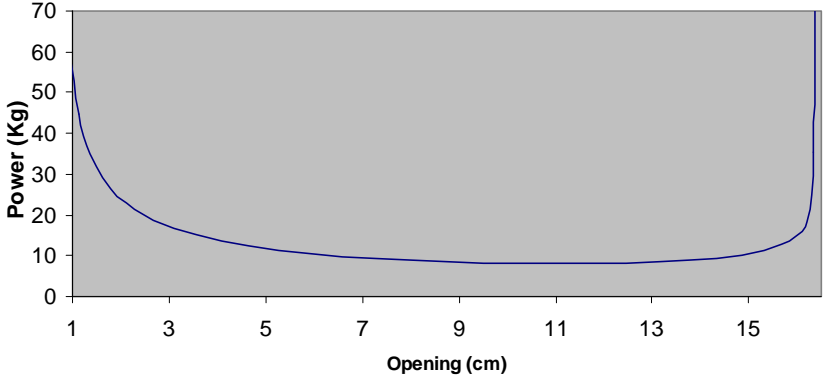
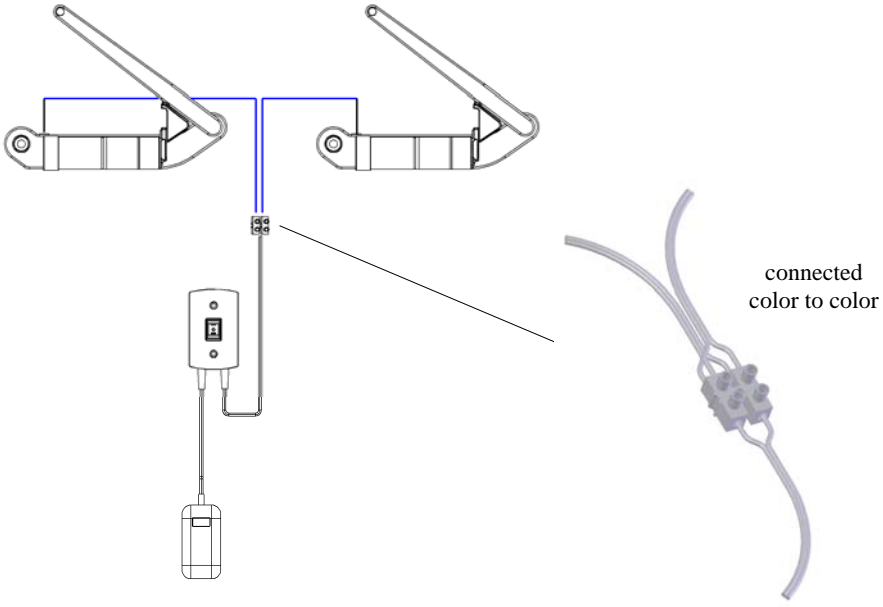
5. Maintenance

- The electrical window opener does not require any maintenance.
- Clean it with a wrung cloth, possibly with a mild cleansing agent.
- To keep it working smoothly it is recommended to oil/maintain the hinges in the window.

6. Technical data

VENSET article no.:	111
VENSET article name:	Electrical window opener for windows opening outwards
Material:	Aluminium alloy
Colour:	Silver, RAL 9006
Outside dimension:	L: 25 cm W: 7 cm H: 4,5 cm
Weight, net	1,3 kg
Weight, gross	1,5 kg.
Opening	Continuously variable until maximum 12 cm
Supply voltage:	24 V DC
Power consumpt. in operation	0,3 A
Max. power consumption:	0,6 A
Engine control:	Built-in electrical end stoppers
IP level	10



Closing method:	Dynamic opening regulation
Opening/closing power compared to opening:	<p style="text-align: center;">Opening/closing power</p>  <p>The graph plots Power (Kg) on the y-axis (0 to 70) against Opening (cm) on the x-axis (1 to 15). The power curve starts at 50 Kg at 1 cm, decreases to 20 Kg at 3 cm, reaches a minimum of 10 Kg between 7 cm and 13 cm, and then rises to 65 Kg at 16 cm.</p>
Electric Diagram	 <p>The diagram illustrates the electrical connection between two window opener units and a central control unit. A cable with a connector is shown on the right, labeled "connected color to color".</p>

7. Declaration of conformity

We hereby declare on our own responsibility that the product covered by this declaration complies with the following directives and other normative documents:

DS/EN 60335-2-103
EN55014-1 and EN61000-3-2.

Referring to the Directive for machinery (98/37/EF) we must point out that:

An electrical window opener is regarded a machine and should not be put into use, until it has been installed correctly according to the directions in the enclosed instructions for use and assembly.

Manufacturer: VENSET A/S
Nygade 63
Dk-6900 Skjern
www.VENSET.com