

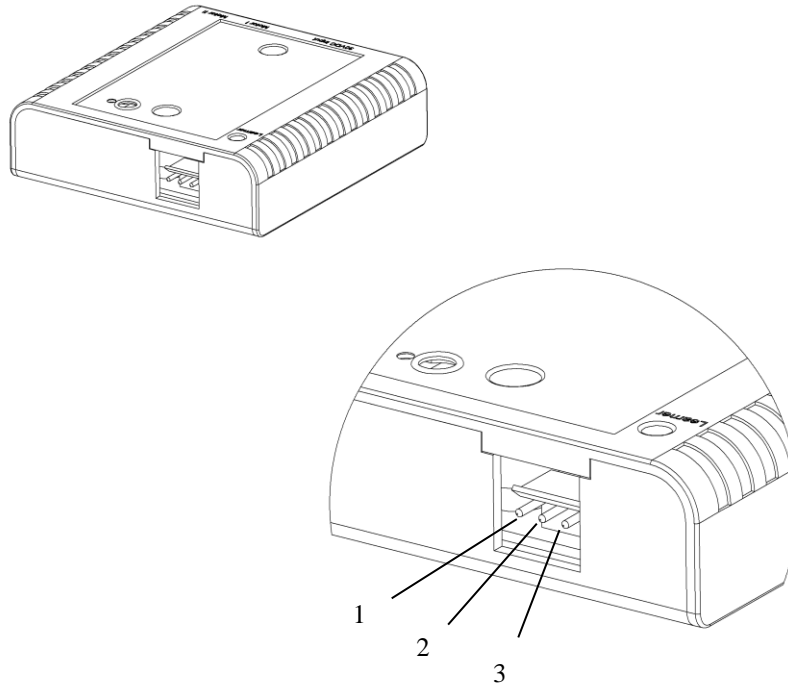


TV LIFT – MULTIPLE TV LIFT PARALLEL OPERATION WIRING REFERENCE

CONTENT:

1. VENSET Remote Controller	Page 2
2. Wiring Diagram	Page 3

1. Remote DF019, R111900, R109980, R110080, R119320, R119090 or R112210



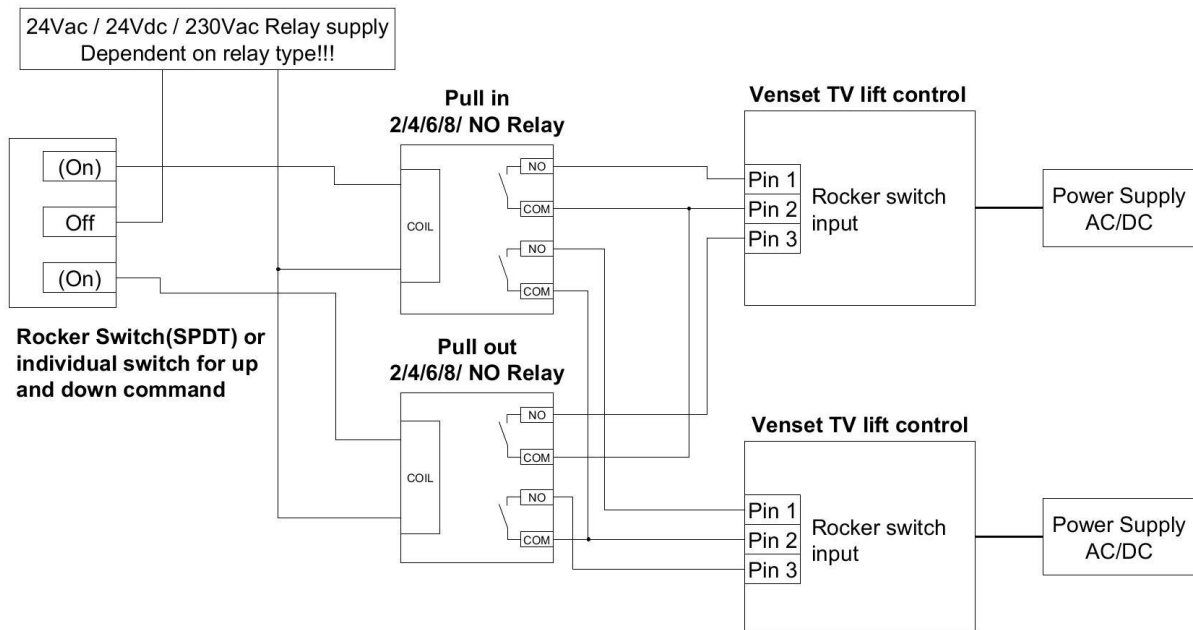
Pin Description:

Pin	Description
1	Control signal: pull in system (is internally pulled-up to 5V, 0.5mA)
2	Common (GND) for both signals
3	Control signal: pull out system (is internally pulled-up to 5V, 0.5mA)

Truth table:

Pin 1 – Pin 2	Pin 3 – Pin 2	Operation
Open	Open	None
Open	Closed	Pull in
Closed	Open	Pull out
Closed	Closed	None

2. Wiring Diagram.



Description:

The wiring diagram shows two TV lift systems in parallel operation but can be scaled. A separate relay is used for pull in and pull out control with an individual outputs for each TV lift.

Keep cable length between relay and TV lift control short.

Relay should have gold contacts.

To reverse the operation direction of the TV lift, swap the cables Pin 1 and Pin 3.