

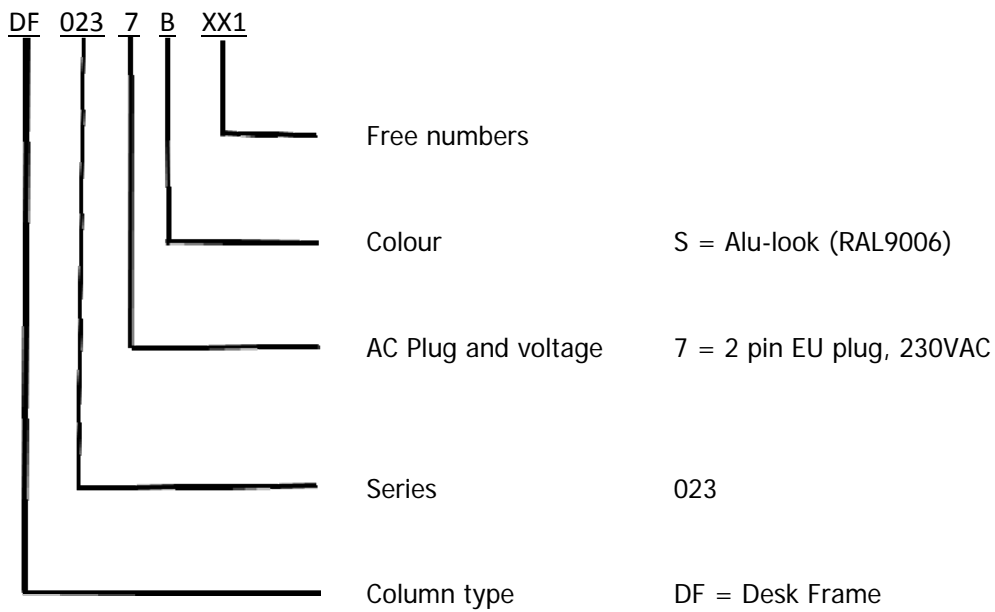
Table of contents

Article numbers	page 3
Packing details	page 4
Bill of materials	page 5
Assembly and use	page 6
Dimensions	page 7
Specifications	page 8
Safety & test	page 9

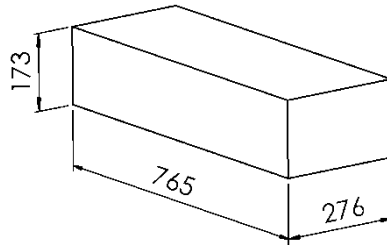
Article numbers

Article number	EAN code
DF023 1SXX1	5 708499 111645

Ordering example

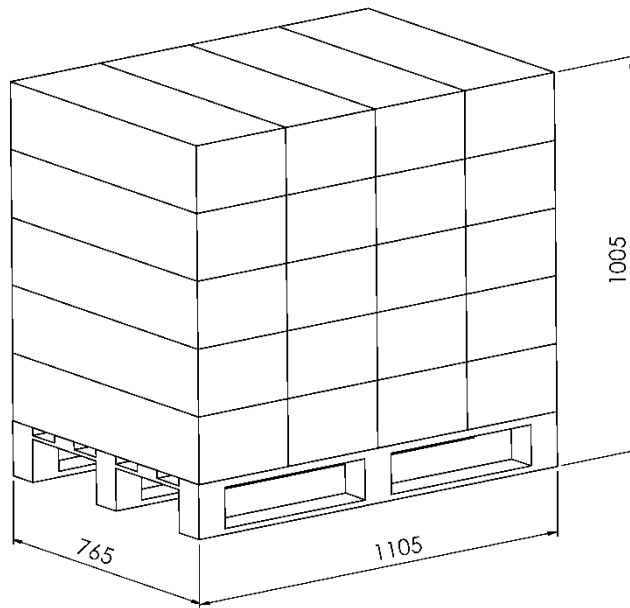


Packing details



1 pcs.

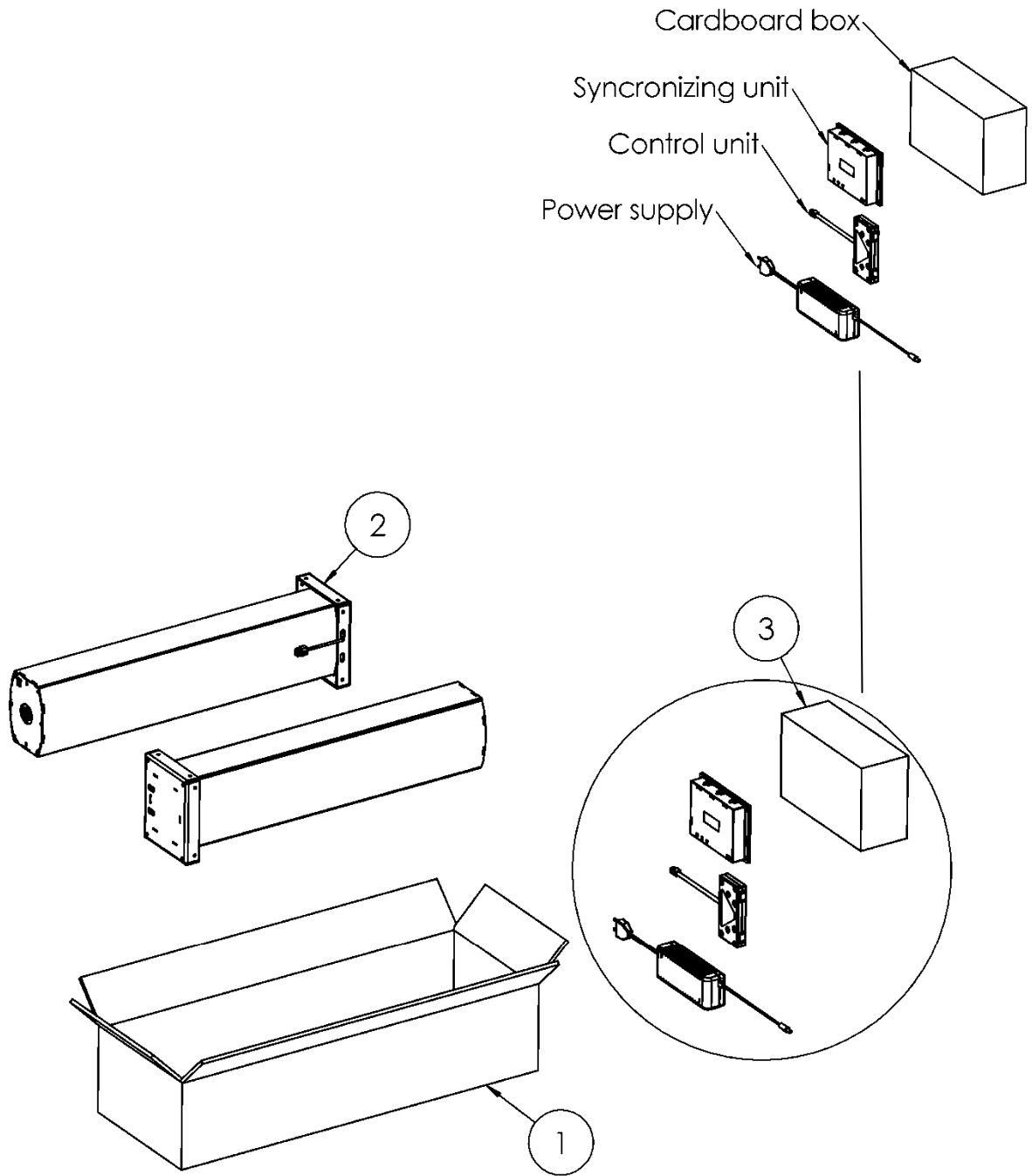
27 kg



20 pcs.

560 kg

Bill of materials

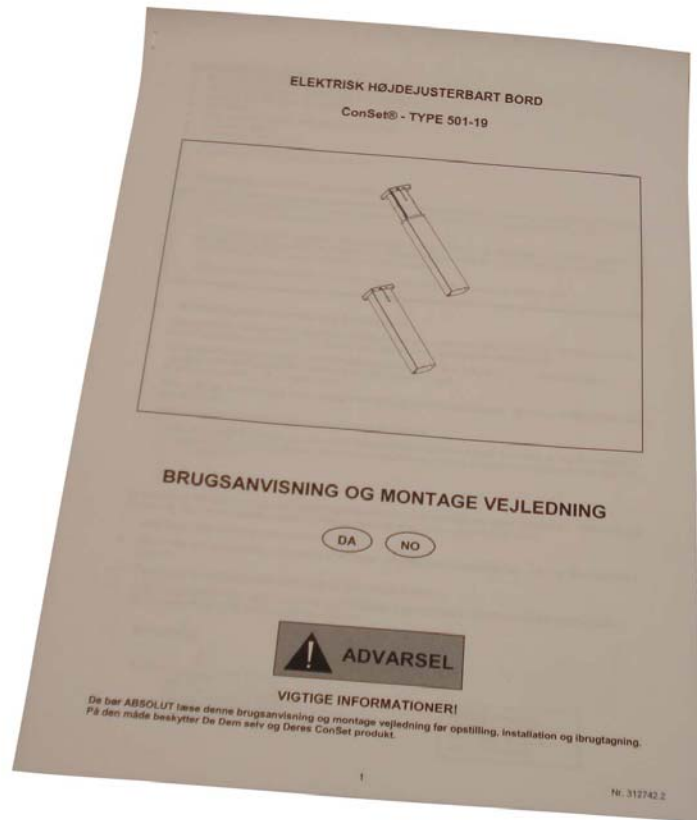


ITEM NO.	QTY.	PART NO.	DESCRIPTION
1	1	313720	Cardboard box
2	2	109880	Lifting column
3	1	109330	Power and control, packed

Assembly and use

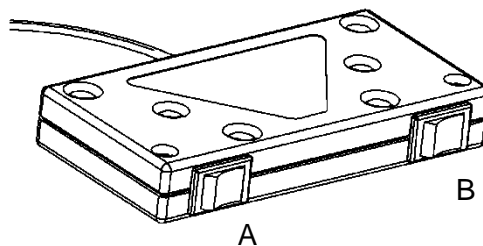
After installation of the columns, the electrical components can be connected. All wires have DC jacks and since using different types (size- male/female) only the correct connection can be made.

All products come with an instruction manual.

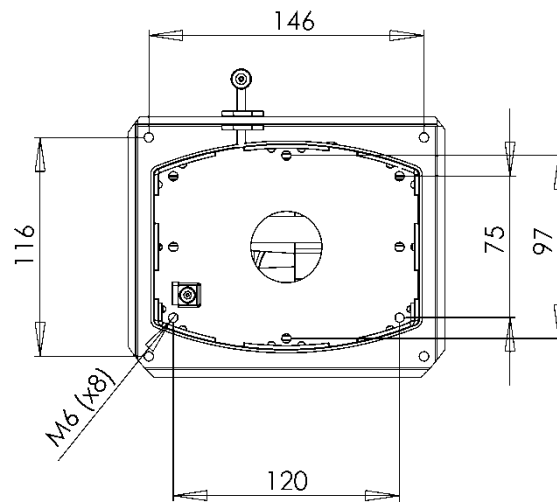
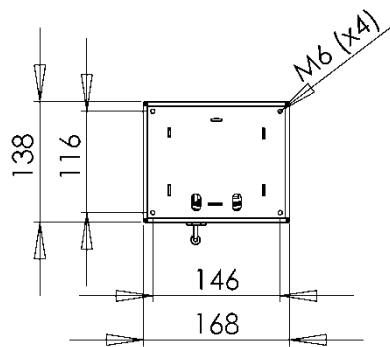
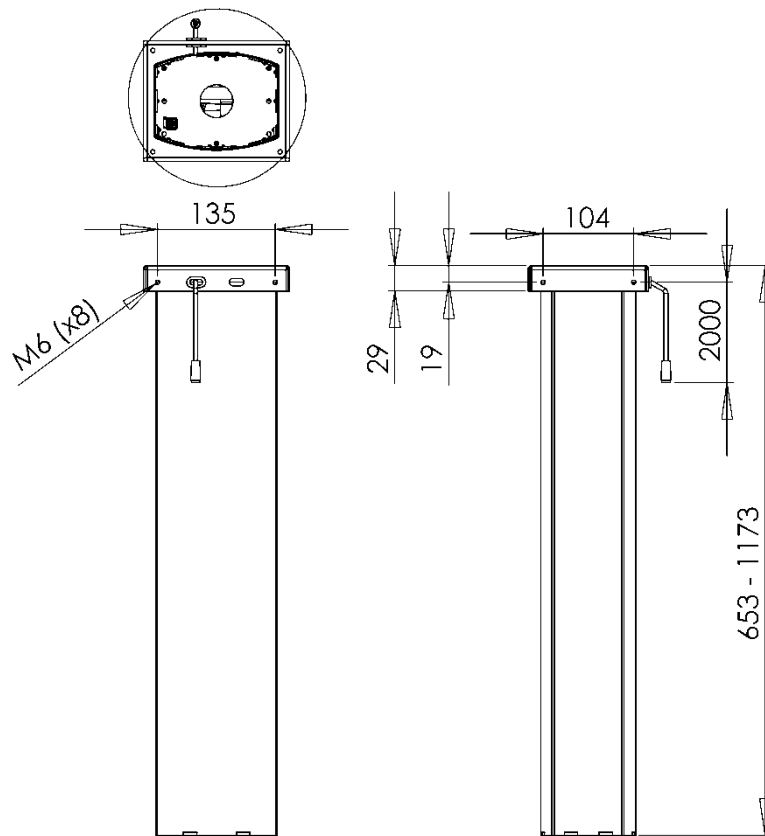


This operation unit has two rocker switches.

With rocker switch A and B it is possible to move the tabletop up and down, and can be stopped at all levels. For safety reasons it is necessary to push both buttons at the same time for moving the table up and down.



Dimensions



Specifications

Columns

Height, frame only 63 – 120 cm

Lifting capacity, frame 150 kilos

Speed 28 mm/sec

Component s

Metal sheet parts: St 37-2

Gear parts: St 70-2

Gear motor: CS no. 314430

Power supply: 120 W AC Power Transformer

Consumption: 120 Watts; Standby: Max 1,2 Watts

Plastic components: PEHD, PA6

Surface treatment Visible metal parts powder coated in "alu" colour

Non visible metal parts are surface treated

(e.g. zinc plated)

Safety & test

DECLARATION OF CONFORMITY

We hereby declare, under our sole responsibility that the following products:

- ConSet sit and stand tables product type 501-23

which are covered by this statement, are in conformity with the following standards and other normative documents::

- Counsel Directive 98/37/EF
- Counsel Directive 89/336/EØF with later changes
- Counsel Directive 73/23/EØF with later changes

With reference to the Machinery Directive (98/37/EF) please be aware:

- the sit and stand table is considered a machine and
- the sit and stand table may not be used until it has been assembled and installed according to the instructions.