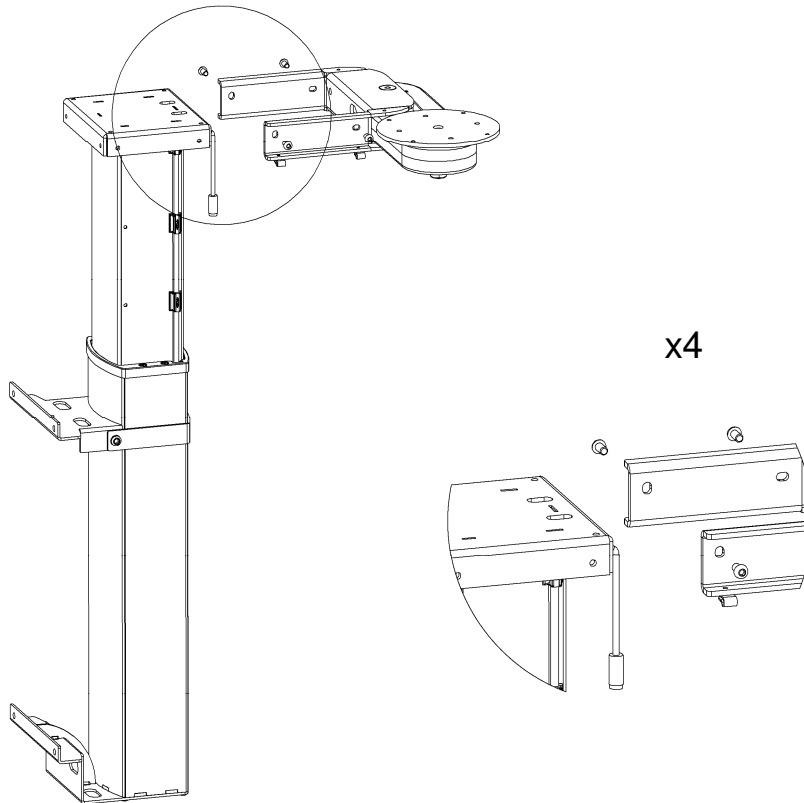


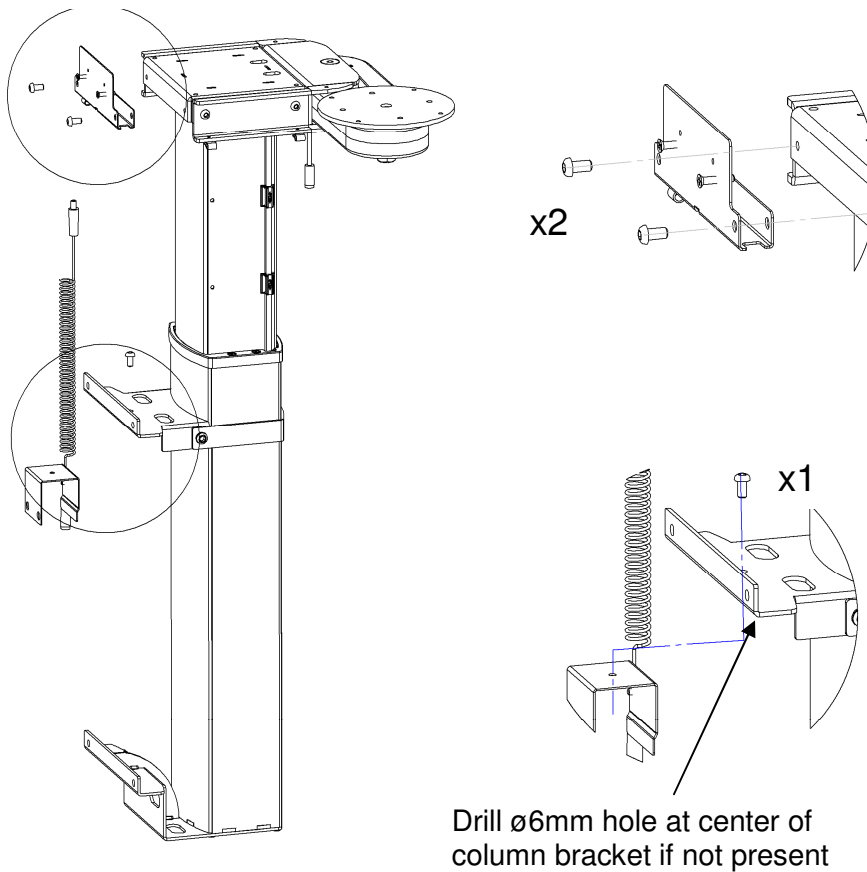
Pull and Swivel Mechanism

Installation Instructions

1. Mount the Pull & Swivel head



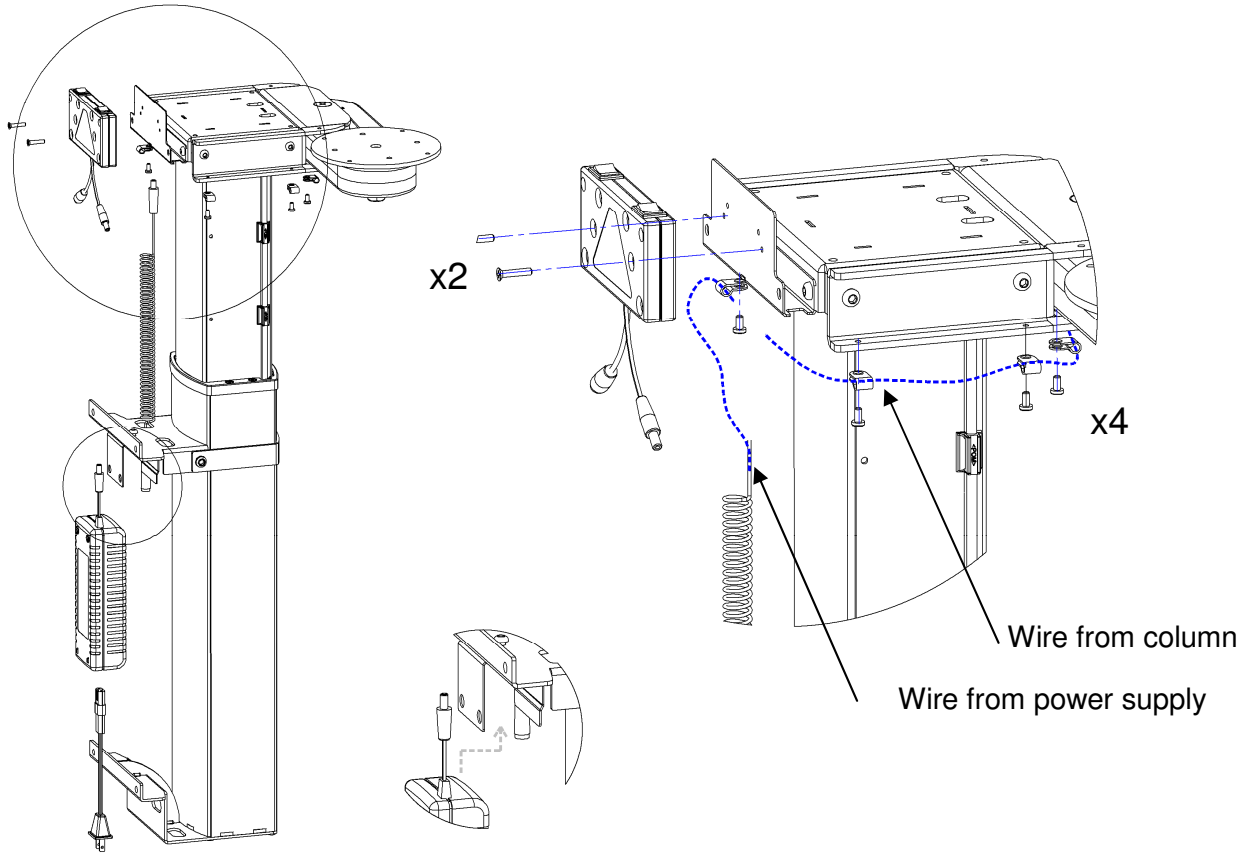
2. Mount control and power supply bracket



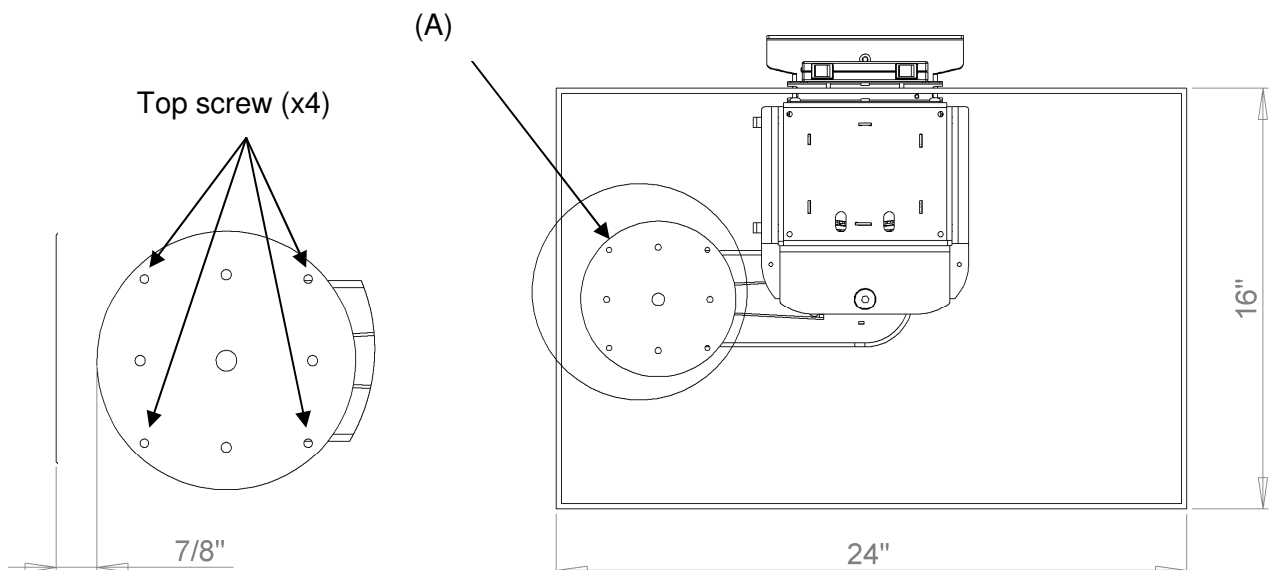
Pull and Swivel Mechanism

Installation Instructions

3. Mount control and power supply



4. Top mounting (will vary depending of top size)



Mount plate (A) to the left (as in diagram) for clockwise top rotation
Mount plate (A) to the right for counterclockwise top rotation