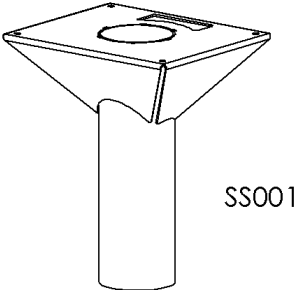
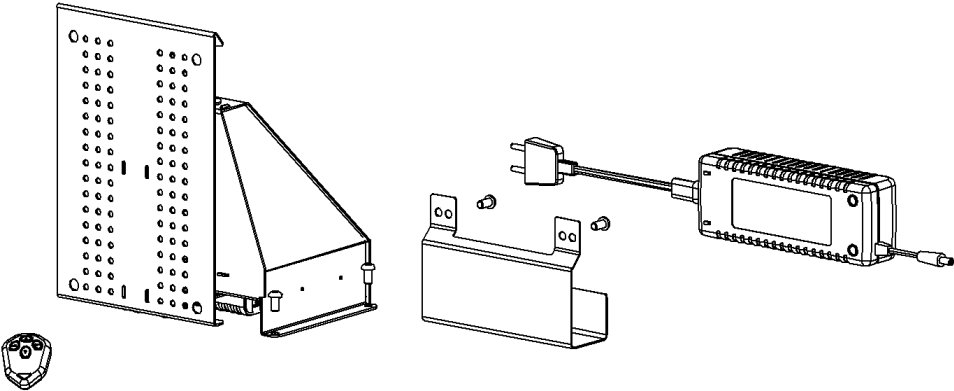
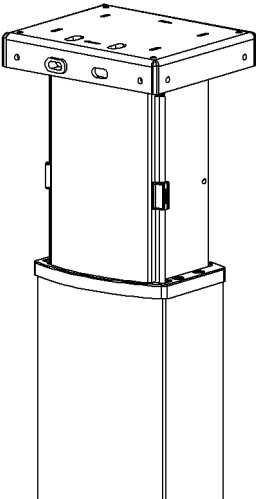
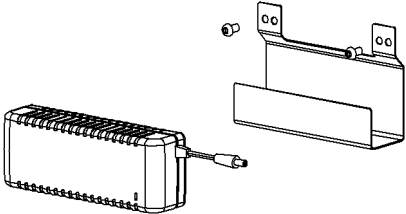
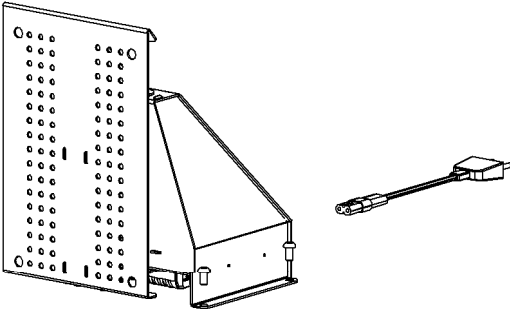


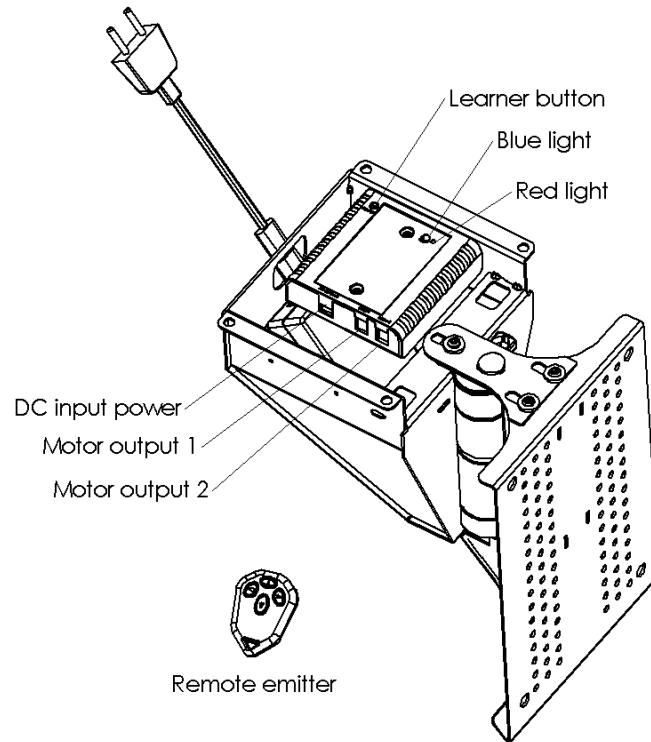
Mounting instruction, SB000



SS001



DF019



### Installation

- connect the power supply to the AC outlet and to the remote receiver box
- after connection, the blue light will be lighting
- push the emitter side buttons and the motor unit will rotate
- for using the up/down function connect the wires to the motor output 1
- for stopping the motion one of the buttons need to be pushed

### Learning

- if the remote receiver do not respond when pushing the emitter buttons, reset the receiver. After that, code the emitter and receiver together again

### Coding

- push the learner button on the receiver for less than 1 sec.
- push one of the emitter buttons
- the red light will start flashing
- push one of the emitter buttons again and the red light will turn off
- the units now are coded together with a unique code

### Reset

- push and hold down the learner button on the receiver for 10 sec. (will be reset when the red light turns off).

### Trouble shooting

- check the plug connections
- check whether the blue light is on
- reset the receiver and make a new coding